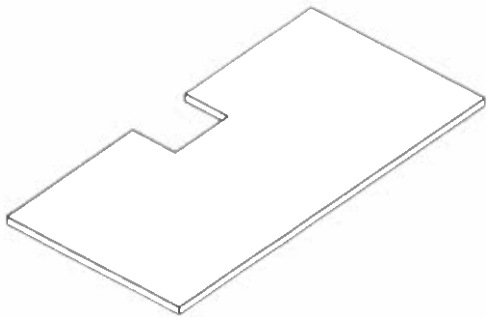


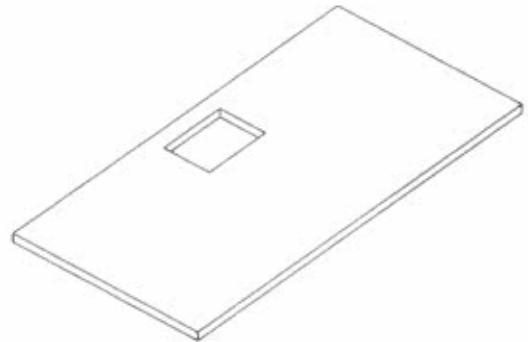
FRÍANT

IN.BOUND CUT

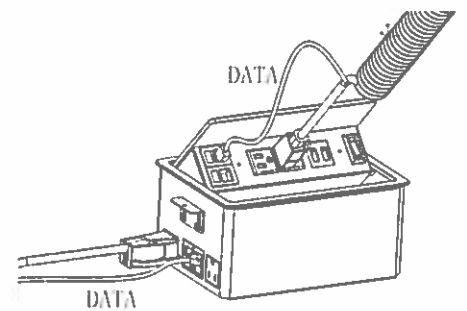
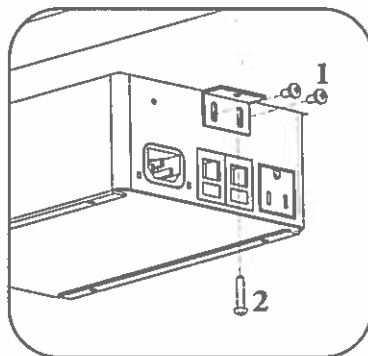
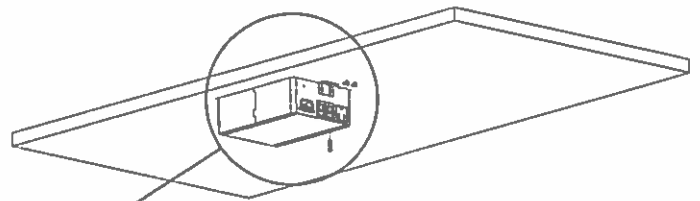
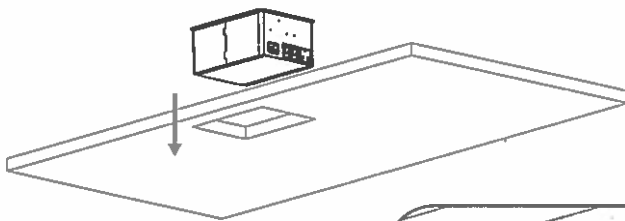
SCALE 1:1



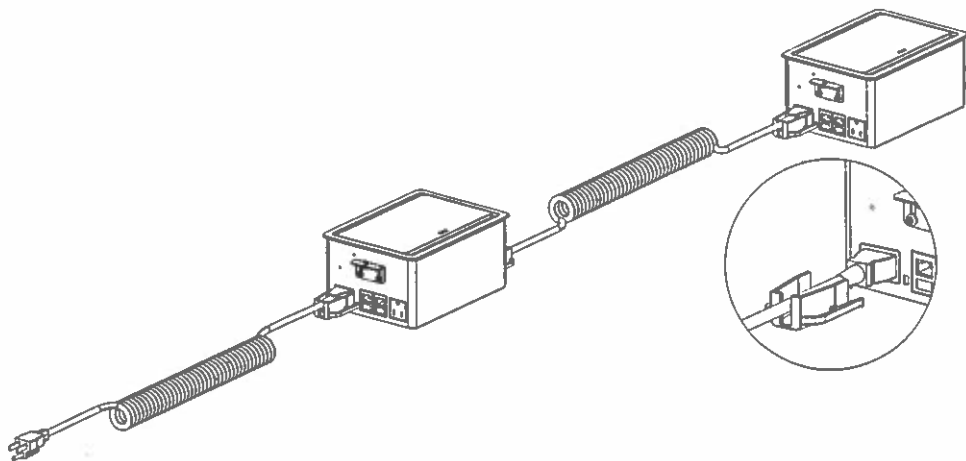
Out bound cut

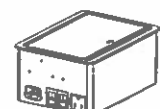
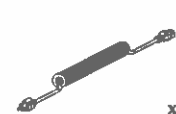





In bound cut



Connection mode



-  x1
-  x1
-  x2
-  x6
-  x2