

MY-HITE

COLLECTION

GSA Schedule

Contract Period: June 29, 2023 to June 28, 2028
Contract Number: 47Q5MA23D08Q6
SIN: 33721



TABLE OF CONTENTS

INTRODUCTION

Terms and Conditions	3
Standard Fabrics	5
Pattern Direction	6
Standard Finishes	7

MY-HITE

Grommet Locations	8-13
How to specify 2 piece tops	14
Freestanding Application	15
Workstation Application	16

3 STAGE SPECIFIC

Base Application & Electrical Draw	17
Trough Cover Dimension	18
Recommended Top Application	19
Technical Specifications	21

2 STAGE SPECIFIC

Base Application & Electrical Draw	23
Understructure Dimensions	24
Recommended Top Application	25
Technical Specifications	26

SPECIFY 3 STAGE BASE

Straight T-Leg	29
Straight C-Leg	30
Corner T-Leg	31
Corner C-Leg	32
Corner T-Leg Post	33
Corner C-Leg Post	34

SPECIFY 2 STAGE BASE

Straight T-Leg	36
Corner T-Leg	37

WORKSURFACES FOR FREESTANDING APPLICATION

Rectangular	39
Corner	40
90° Extended Curved Corner	41
Rectangular Extension	44
D-Shaped	46
Wedge	47
120° Corner / 90° Ends	48
120° Corner / 120° Ends	49

PRIVACY SCREENS

Modesty Panel, Laminate	50
Privacy Screen, Fabric	51
Privacy Screen, Marker Board	52
Privacy Screen, Laminate	53
Worksurface Mounted Screens, Clear	54
Worksurface Mounted Screens, Frosted	55
Worksurface Mounted Screens, Fabric	56

SHIELD FREESTANDING PANELS

Freestanding Laminate Panel, Feet	57
Freestanding Laminate Panel, Casters	58
Freestanding Markerboard Panel, Feet	59
Freestanding Markerboard Panel, Casters	60

Terms and Conditions

PRICES

Pricing is delivered, freight included to 48 contiguous states. Specific requirements apply, minimum order required, see freight policy for details. See complete freight rules and policy on www.friant.com.

ORDERING

Purchase Orders should be sent to orders@friant.com or faxed to (510) 535-6895. If your specifications were created with CAP, GIZA or Project Matrix, please send the worksheet (.SP4, or .SIF) with your Purchase Order.

TERMS

Net 30 days from date of invoice. Invoices are delinquent if not paid 30 days from date of invoice. In the event timely payment is not made, interest will be charged at the rate of 1.5% per month on delinquent accounts. Buyers will also be liable for normal collection costs and attorney's fee. 50% deposit is required with every order, unless prior arrangements have been made.

ORDERS

Orders are only accepted by issuance of our formal acknowledgment, and are subject to the terms set forth herein and on our order acknowledgment. It is the responsibility of the buyer to review our acknowledgment for accuracy.

LEAD TIME

Lead times are subject to availability, see www.Friant.com for details.

SHIPPING

Friant generally palletizes, boxes and/or shrink-wraps its products. If buyer requests additional packaging or special shipping, then it is responsible for any extra costs that result. Buyer obtains title to products and assumes the risk of loss for them upon shipment from Friant's plant.

CLAIMS

We are not responsible for damage suffered in transit. Merchandise should be inspected for possible freight damage upon delivery. The consignee should file for damage or shortages with the carrier within 5 days of delivery. You are also protected for "concealed damage" if you file claim with the carrier within 5 days of delivery. Buyer must make all claims against Friant for defects, errors or shortages in writing within 10 days after delivery. Failure to make such a claim shall constitute full acceptance.

RETURNS

No merchandise may be returned without our written consent and shipping instructions. Unauthorized returns will not be accepted and will be returned freight collect.

PARTIAL SHIPMENTS

We will make every attempt to ship orders complete and on schedule. However, we reserve the right to make partial shipments, as merchandise is ready. Invoices covering these shipments are to be paid as they become due.

ORDER CHANGE/CANCELLATIONS

Our order confirmation is final and binding. Any order change or cancellation is subject to our ability to conform. For the most up to date information, always review the order change/cancellation policy online. Allowable changes within the posted policy must be made in writing.

SHIPMENT AND PREPAID FREIGHT

Unless otherwise instructed, we reserve the option to ship by what is, in our opinion, the best possible way. Upon request, we will prepay and add freight for accounts with established credit.

DELIVERY

We are not liable for delay or failure of delivery due to strikes and/or differences with workmen, war, riot, fire, compliance with government regulations, acts of nature, failure or delays of sources of supply, or any other causes beyond our control.

STORAGE

If buyer cannot accept delivery when merchandise is ready, we reserve the right to transfer goods to storage. Costs of transfer and storage will be charged to the buyer's account, and we will deem such transfer as constituting shipment for all purposes, including invoicing, as of the date the transfer is made.

Terms and Conditions

CONSTRUCTION — SPECIFICATIONS

All items are produced to price list specifications unless otherwise advised. All dimensions shown are approximate. Manufacturer reserves the right to make modifications and/or improvements without prior notice.

FABRIC APPLICATION

Standard fabric application is non-directional. Friant & Associates is not responsible for charges associated with replacement of products due to incorrect specifications. Certain product construction and sizes require fabric to be applied only Directionally or Non-Directionally. See individual pricebook specifications for details.

CUSTOMER'S OWN MATERIAL

Yardage requirement is based on 66" wide plain covering material, and must be increased if less than 66" wide. Special instructions for handling material (pattern, directional fabric, right side of reversible fabric, etc.) must be submitted in writing before fabric is delivered. In the absence of special instructions, we reserve the right to use our own judgment. We reserve the right to reject any covering, which in our opinion, is unsuitable for our upholstery purposes. However, in no instance shall we be held responsible for unsatisfactory results due to use of covering unsuitable for our upholstery methods.

We will not be responsible for errors caused by buyers not supplying us with sample cuttings attached to their order giving full identification of covering material, (name of supplier, covering name, number and color) for identification purposes and advising us of model number and quantity to which each cover is to be applied.

Customer's own material that is shipped freight collect will be refused. A service charge will be applied for the return of unusable C.O.M. Contact factory.

RIGHTS AND WARRANTIES

Warranty information for all Friant products can be found in the Dealer Resource Center (dealers.friant.com/warranty) or on the Friant website (www.friant.com/warranty)

CALIFORNIA PROP 65 WARNING

Products in this catalog can expose you to chemicals including wood dust, which is known to the State of California to cause cancer or birth defects or other reproductive harm. For more information go to <https://www.p65warnings.ca.gov/products/furniture-products>."

CARB

Friant products are CARB 93120 compliant for formaldehyde (phase 2)

TSCA TITLE VI

Friant products are TSCA Title VI Compliant

MAS

Accredited Compliance Designation - ANSI/BIFMA x7.1 & e3-2014 7.6.1, 7.6.2, 7.6.3

California Dept. Of Public Health Standard Method v1.2

Conforms With: LEED v4

Criteria of MAS Certified Green ® Program

Standard Fabrics

JOURNEY		TERRAIN		SLIDE		SILKY		SKY	
PF801-1	Quest	PF701-1	Cloud	PF101-1	Caramel	PF401-1	Natural	PF301-1	Terra
PF801-2	Voyage	PF701-2	Dusk	PF101-2	Slate	PF401-2	Parids	PF301-2	Birch
PF801-3	Transit	PF701-3	Wave	PF101-3	Pewter	PF401-3	Overcast	PF301-3	Moss
PF801-4	Amble	PF701-4	Earth	PF101-7	Java	PF401-5	Graphite		
PF801-5	Odyssey			PF101-9	Sterling				
PF801-6	Caravan			PF101-10	Crema				
PF801-7	Expedition			PF101-13	Mustard				
PF801-8	Wayfare			PF101-14	Avocado				
				PF101-15	Pumpkin				
				PF101-16	Ocean				
				PF101-17	Blueberry				
				PF101-18	Cardinal				
				PF101-19	Flamingo				
				PF101-20	Serenity				
				PF101-21	Azure				
				PF101-22	Orchid				
				PF101-23	Plum				
				PF101-24	Raven				

LIMITED AVAILABILITY

SLIDE		STICKS		PASSAGE	
PF101-4	Verde	PF501-3	Sage	PF601-5	Leaf
PF101-6	Vintage			PF601-8	Amber

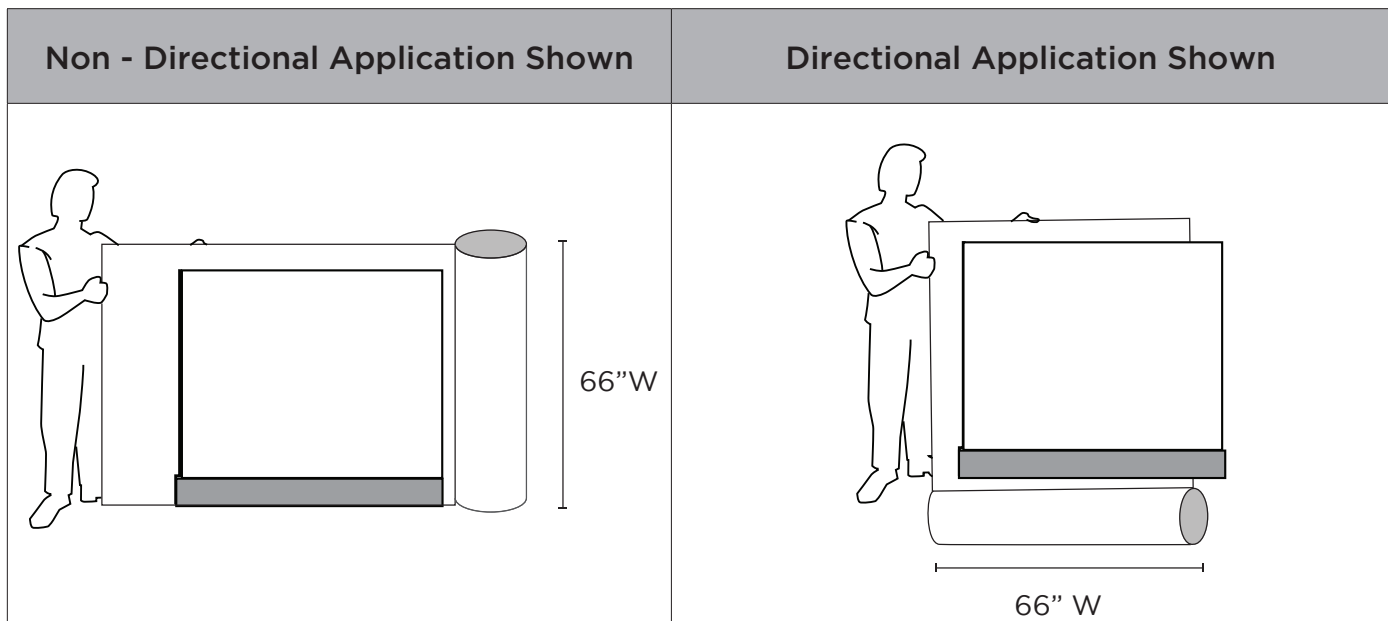
Fabric is scheduled for discontinuation when inventory is exhausted. Please contact Customer Success for current stock levels. After discontinuation fabric will be available with extended lead time, subject to minimum yardage requirements.

NOTES:

- Passage and Terrain are not available on acoustical panels, pedestal cushions, tackboards or fabric screens.
- Please refer to the Fabric Direction Section in the Materials Reference Guide on the Dealer Resource Center for more details: <http://dealers.friant.com/dealers/product-literature/>
- Order fabric / finish sample online at www.friant.com
- Colors may vary slightly between dye lots.

Pattern Direction

- Fabric direction is not always determined by the way the pattern is shown on memo sample.
- Certain product construction and sizes require fabric to be applied only Directionally or Non-Directionally.
- Some products have fabric applied either Directionally or Non-Directionally. (Upcharges may apply on some products, see price books for details).
- Please refer to our Materials Reference Guide on the Dealer Resource Center for specific pattern application defaults on all of our products : <http://dealers.friant.com/dealers/product-literature/>
- Our Customer Success Team is happy to answer any questions regarding fabric direction.



Standard Finishes

For matching edge PVC, please read across matrix.

Order samples at www.friant.com/samples

Please Note: Images are printed simulations and are not exact matches of finished product. Please request an actual sample from Friant or your sales consultant before specifying finishes.

WORKSURFACE LAMINATES		EDGE LAMINATES (3MM PVC)	
M1	Light Maple	E1	Light Maple
M2	Light Cherry	E2	Light Cherry
M3	Medium Cherry	E3	Medium Cherry
M4	Dark Mahogany	E4	Dark Mahogany
M6	Light Gray	E6	Light Gray
M9	Cloud White	E9	Cloud White
M10	Espresso	E10	Espresso
M11	Light Walnut	E14	Light Walnut
M12	Medium Walnut	E15	Medium Walnut
M13	Licorice	E13	Licorice
M14	Carob	E17	Carob
M16	Tundra	E19	Tundra
M18	Capitan	E21	Capitan
M19	Fog	E22	Fog
M20	Sandstone	E23	Sandstone
M23	Bark	E26	Bark
M25	Winter	E28	Winter
M26	Storm	E29	Storm
M27	Medium Ash	E30	Medium Ash
M28	Arctic	E31	Arctic
M29	Raven	E32	Raven
M30	Barley	E33	Barley
M31	Camel	E34	Camel

Note: For other worksurface finish, please contact our Customs team

***Complimentary Edge Finishes**

- E8 Black Umber
- E11 Medium Tone
- E12 Dark Tone

Complimentary edge finishes have no exact laminate match available

PAINT TRIM

- CW Cloud White
- BU Black Umber
- SV Silver

STANDARD GROMMET FINISHES

- CW Cloud White
- BU Black Umber
- SV Silver

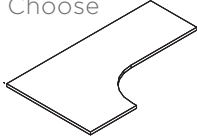
POWER GROMMET FINISHES

- BA Brushed Aluminum
- BC Brushed Charcoal
- CW Cloud White

Grommet Locations, My-Hite Tops

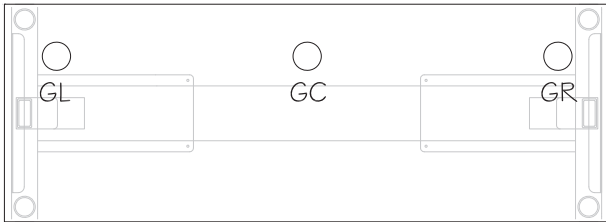
1 Select a My-Hite worksurface

My-Hite tops (see page 39) offer optional grommets. (Please use the codes shown when specifying location of grommets). An upcharge of \$75 applies per grommet.

Choose	Specify Part #	Specify worksurface and edge
	FCCAHS-24366024R	M16 Tundra E19 Tundra

2a Select a grommet location, Rectangular Tops

Specify location by using the designated codes



CODE POSITION

GL	4" from left side - 4" from rear
GC	Centered from side to side - 4" from rear
GR	4" from right side - 4" from rear
G1	Pair of grommets, GL and GR
G5	Three grommets, GL-GC-GR

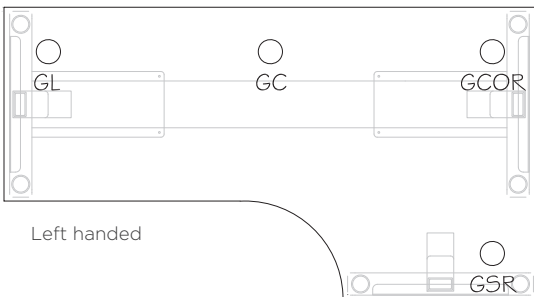
Dimensions are measured from grommet center

For other grommet locations, please call Friant customer success.

Grommets are 3" round with cover standard

2b Select a grommet location, Extended Corner Tops

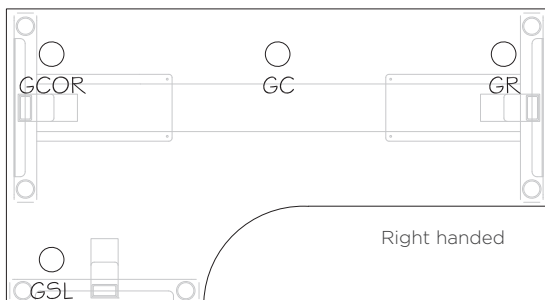
Specify location by using the designated codes



Extended Corner, Left Handed

CODE POSITION

GL	4" from left side - 4" from rear
GC	Centered from side to side - 4" from rear
GCOR	Corner, 4" from Rear
GSR	4" from right side - 4" from rear



Extended Corner, Right Handed

CODE POSITION

GCOR	Corner, 4" from Rear
GC	Centered from side to side - 4" from rear
GR	4" from right side - 4" from rear
GSL	4" from left side - 4" from rear

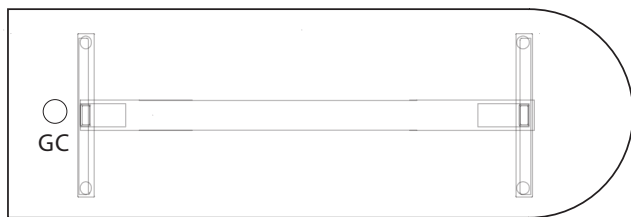
Dimensions are measured from grommet center

For other grommet locations, please call Friant customer success.

Grommets are 3" round with cover standard

Grommet Locations cont'd

2c Select a grommet location, D-Shaped Tops
Specify location by using the designated codes



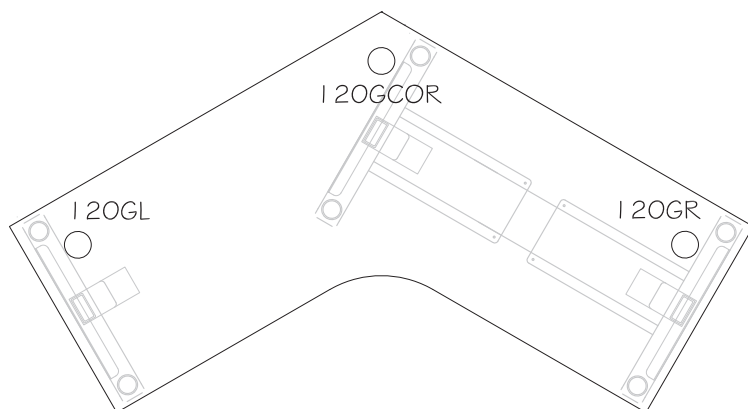
CODE	POSITION
GC	Centered from side to side - 4" from rear

Dimensions are measured from grommet center

For other grommet locations, please call Friant customer success.

Grommets are 3" round with cover standard

2d Select a grommet location, 120° Tops
Specify location by using the designated codes



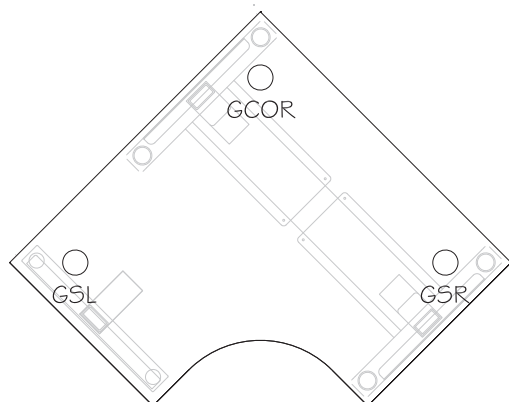
CODE	POSITION
120GL	4" from left side - 4" from rear
120GCOR	Corner - 4" from rear
120GR	4" from right side - 4" from rear

Dimensions are measured from grommet center

For other grommet locations, please call Friant customer success.

Grommets are 3" round with cover standard

2e Select a grommet location, 90° Equal Corners
Specify location by using the designated codes



CODE	POSITION
GSL	4" from left side - 4" from rear
GCOR	Corner - 4" from rear
GSR	4" from right side - 4" from rear

Dimensions are measured from grommet center

For other grommet locations, please call Friant customer success.

Grommets are 3" round with cover standard

Power Grommet Locations - Notch Cutouts, My-Hite Worksurfaces

FRIANT Power Grommet notch cutouts are required when specifying a Power Grommet on a worksurface supported by a My-Hite C-Leg adjustable height table base. Choose the size of power grommet (5x8 only) and cutout location (left, center or right). Specify Power Grommets on page 12. An upcharge of \$75 applies for cutouts.

NOTE: Notch cutouts only available with 5x8 Power grommets and C-leg bases.

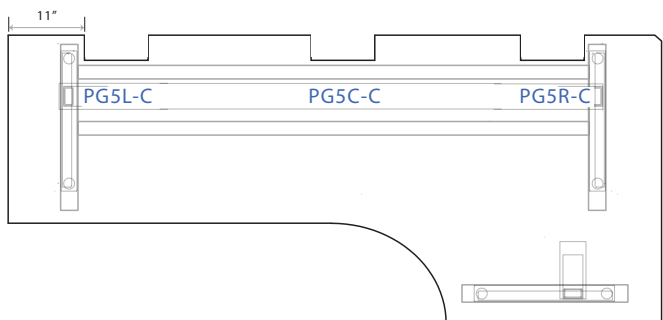
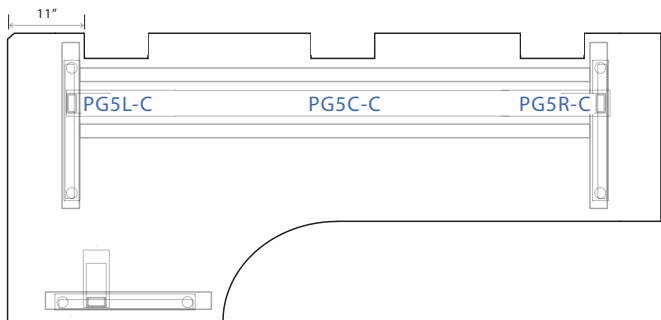
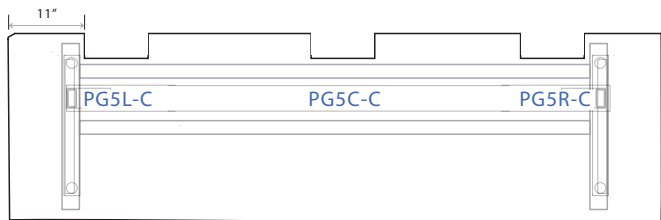
INTRODUCTION

1 Select a My-Hite worksurface

My-Hite worksurfaces (starting on page 39)

2 Select a power grommet notch cutout location

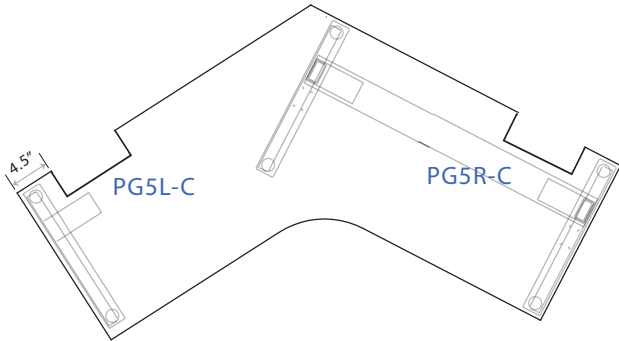
CODE	POSITION
PG5L-C	11" from left side
PG5C-C	Centered
PG5R-C	11" from right side



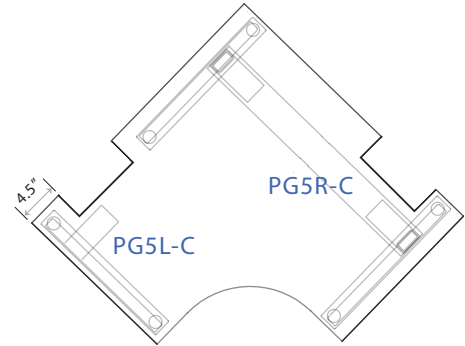
120° and 90° worksurfaces

CODE	POSITION (Specific to 120° and 90°)
PG5L-C	4.5" from left side
PG5R-C	4.5" from right side

Positions for 120° worksurfaces:



Positions for 90° equal corner worksurfaces:



Power Grommet Locations - Interior Cutouts, My-Hite Worksurfaces

FRIANT Power Grommet interior cutouts are used when specifying a Power Grommet on a worksurface supported by a My-Hite T-Leg adjustable height table base. Choose the size of power grommet (5x8 or 6x8) and cutout location (left, center or right). Specify Power Grommets separately. An upcharge of \$75 applies for cutouts.

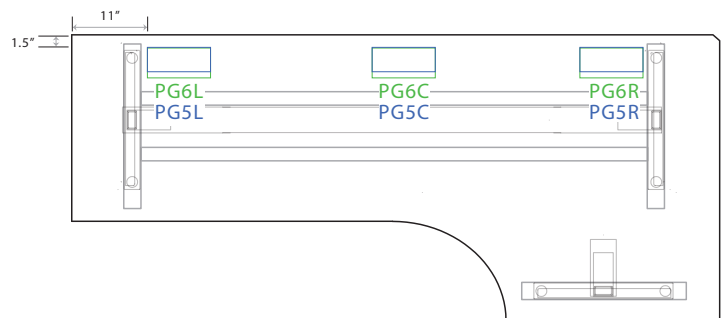
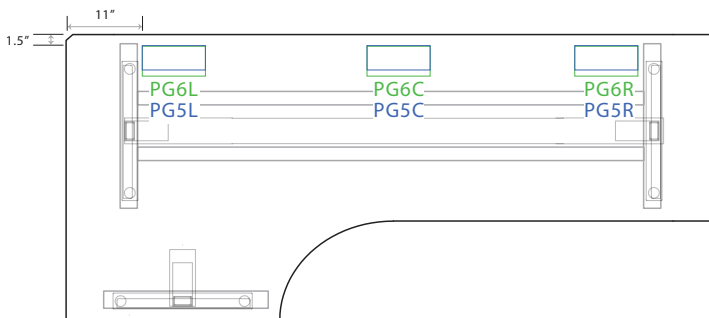
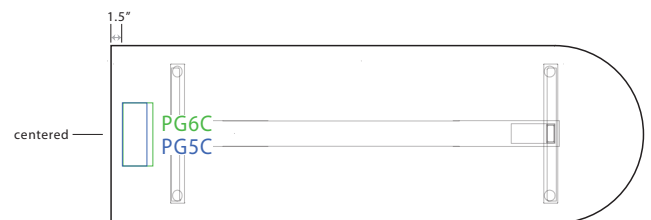
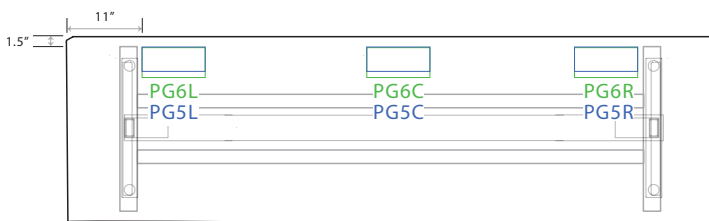
NOTE: Standard position Interior cutouts are not compatible with C-leg bases.

1 Select a My-Hite worksurface

My-Hite worksurfaces (starting on page 39)

2 Select a power grommet interior cutout location

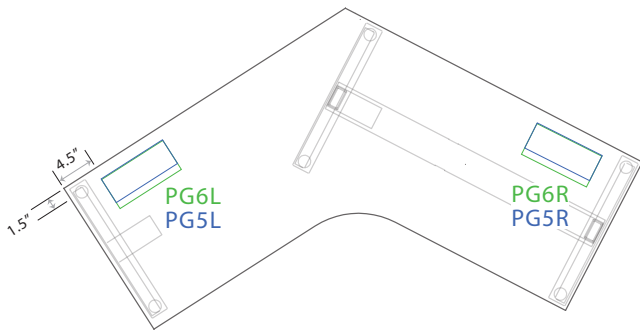
CODE	POSITION
PG6L	11" from left side, 1.5" from back
PG6C	Centered, 1.5" from back
PG6R	11" from right side, 1.5" from back
PG5L	11" from left side, 1.5" from back
PG5C	Centered, 1.5" from back
PG5R	11" from right side, 1.5" from back



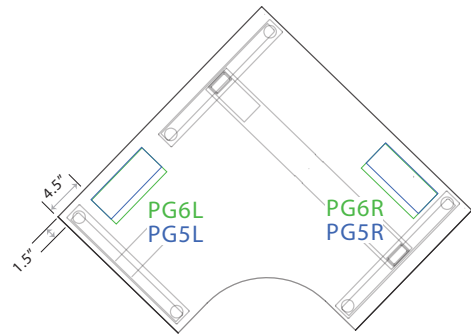
120° and 90° worksurfaces

CODE	POSITION (Specific to 120° and 90°)
PG6L	4.5" from left side, 1.5" from back
PG6R	4.5" from right side, 1.5" from back
PG5L	4.5" from left side, 1.5" from back
PG5R	4.5" from right side, 1.5" from back

Positions for 120° worksurfaces:



Positions for 90° equal corner worksurfaces:

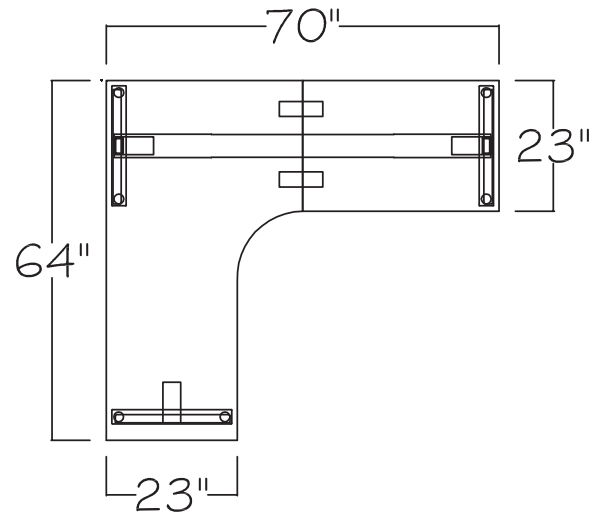
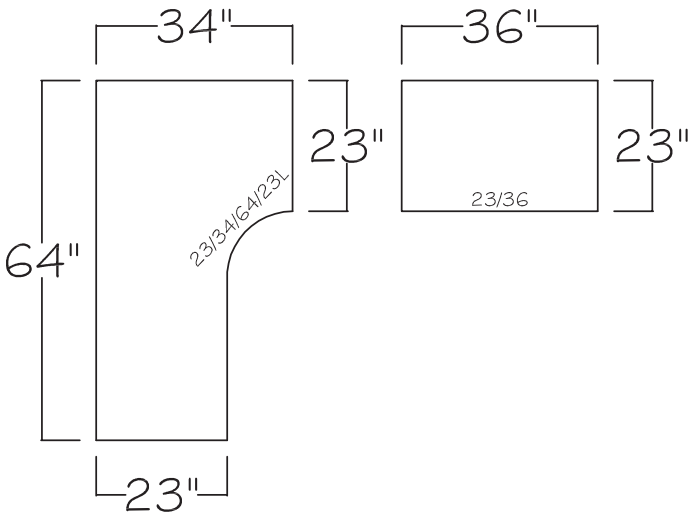


How To Specify My-Hite 2-Piece Extended Corner or Rectangular Tops

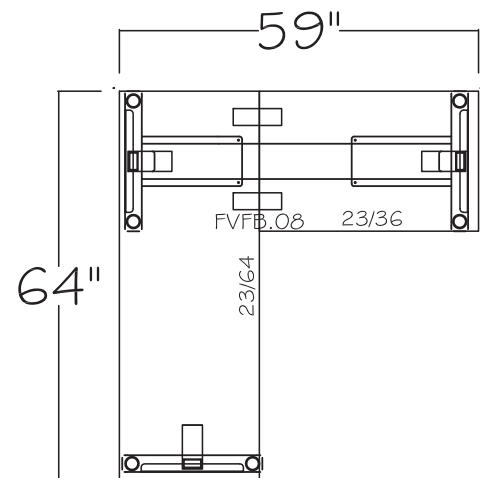
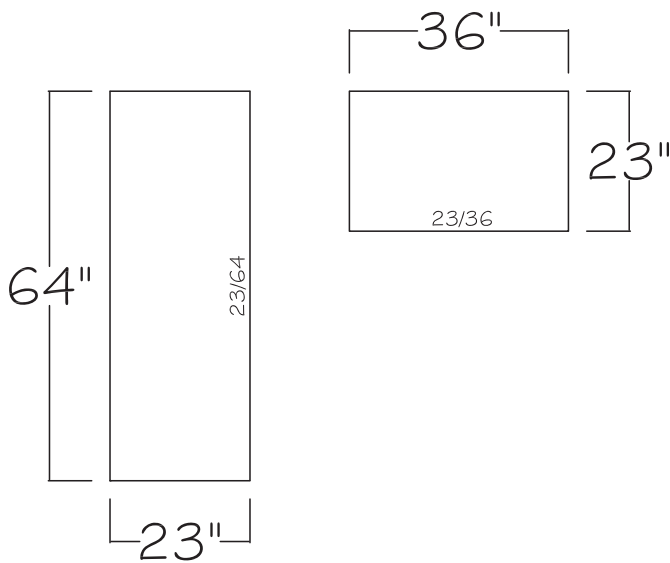
Use a FVFB.08 Flat Bracket pair to attach the two surfaces, making sure the seam is oriented so that it is supported by the continuous part of the My-Hite Corner Base. Maximum width combined: 84x84" (All My-Hite bases) or 72x96" (3 Stage base only).

Specify the Rectangular Extension on page 99.

To create an extended corner My-Hite station, specify an Extended Curved Corner with a Rectangular Extension.



To create a two piece rectangular corner top, specify two rectangular tops, or a rectangular top and one rectangular extension.

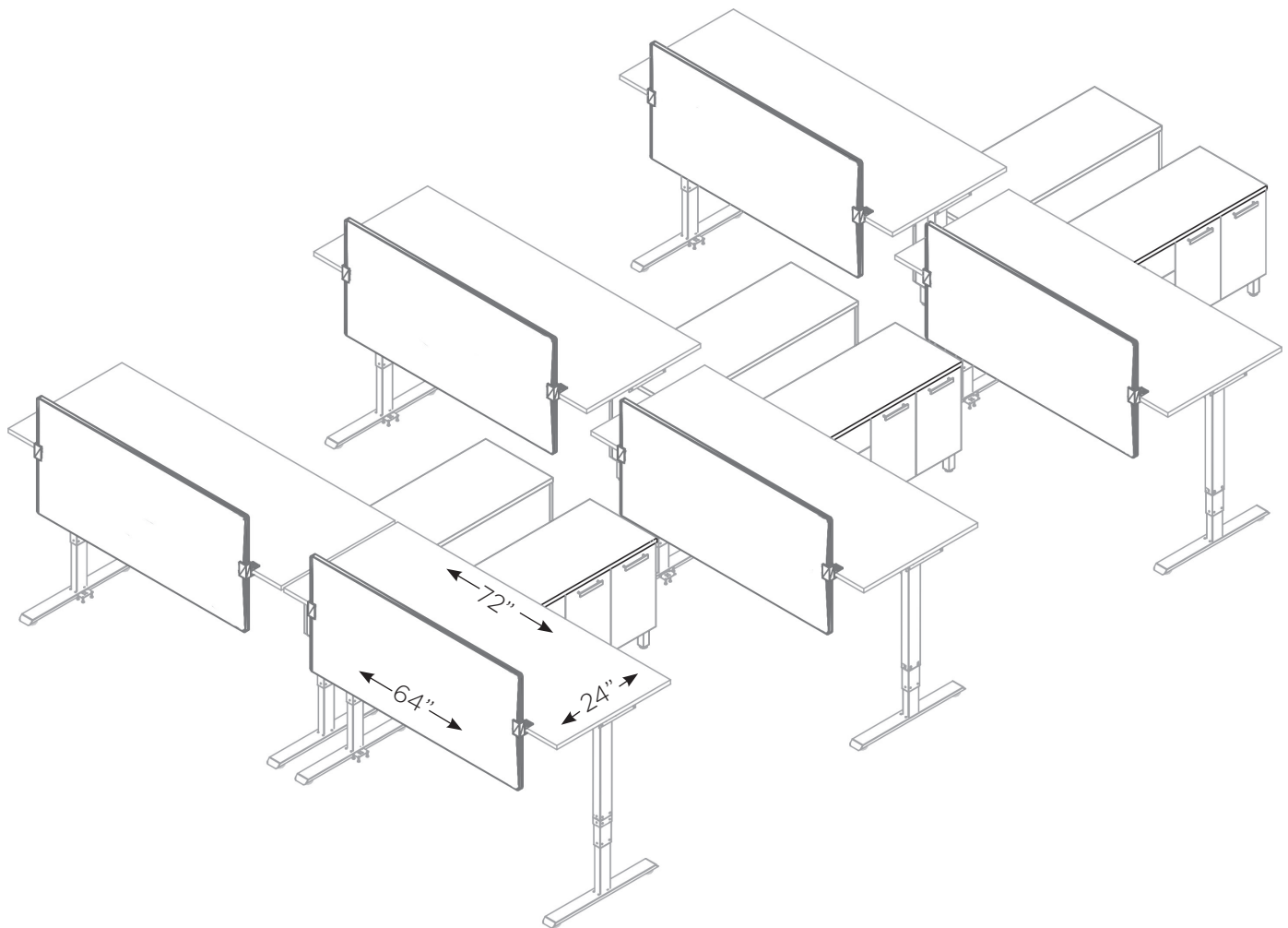


Freestanding Application Example of My-Hite

As a Standalone

- Order Base (page 29)
- Order Top (page 39)

Note: Dimensions are actual for standalone tops



Freestanding Workstation Example

- **Base:** FSQAHBT-24-3

3 stage base range 24.5"-50", page 29

- **Worktop:** FSQAHT-2472

Rectangular worksurface, page 39

- **Privacy Screen:** FPSFLUSH.2472

Fabric covered privacy screen, page 51

- **Credenza:** FCREDSQAP.48L

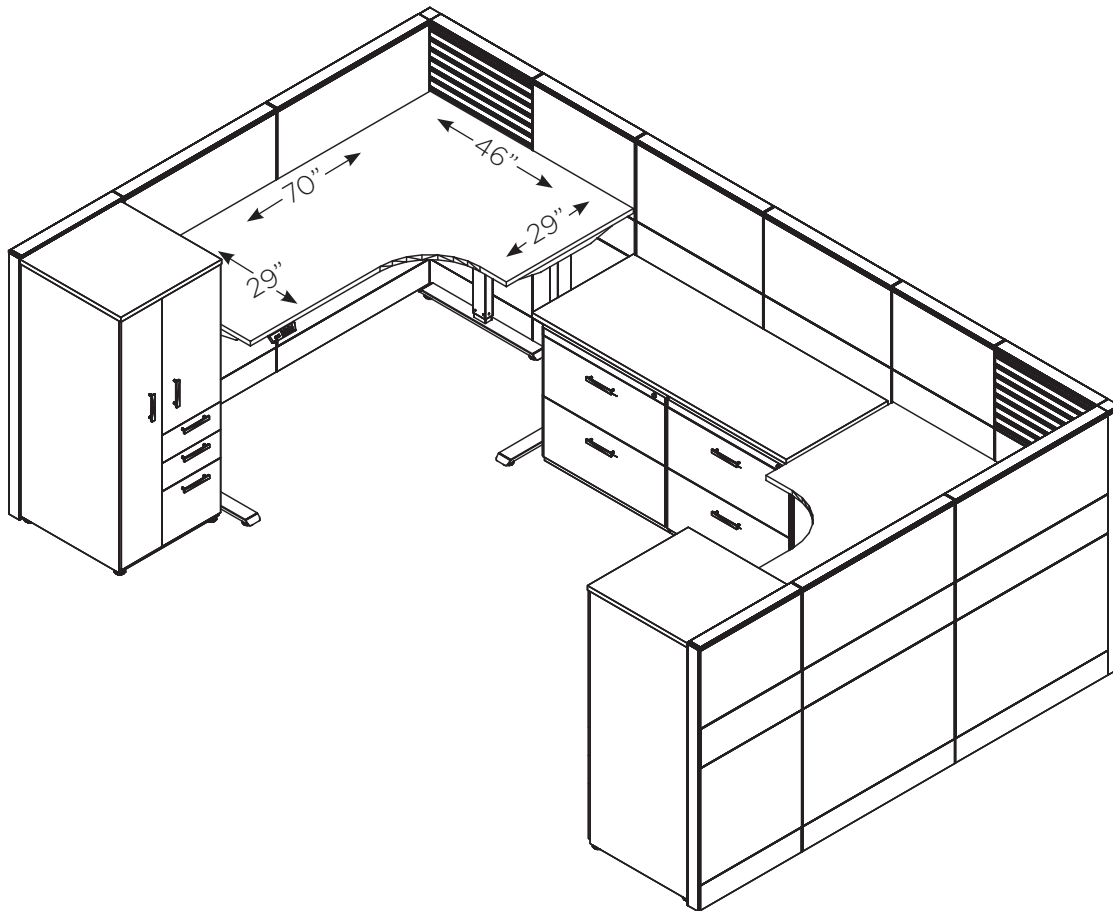
Freestanding credenza, Novo Pricebook, page 82

Workstation Application Example of My-Hite (Interra)

As part of a Workstation

- Order Base (page 29 or 36)
- Order Top within System Pricebook
 - System 2 - Novo
 - Dash - Interra
 - Verity

Note: Top size reduced 1" in depth and 2" in width to fit within system workstation and prevent pinch points. See system pricebook for details. We do not recommend using full size worktop in paneled workstation applications.

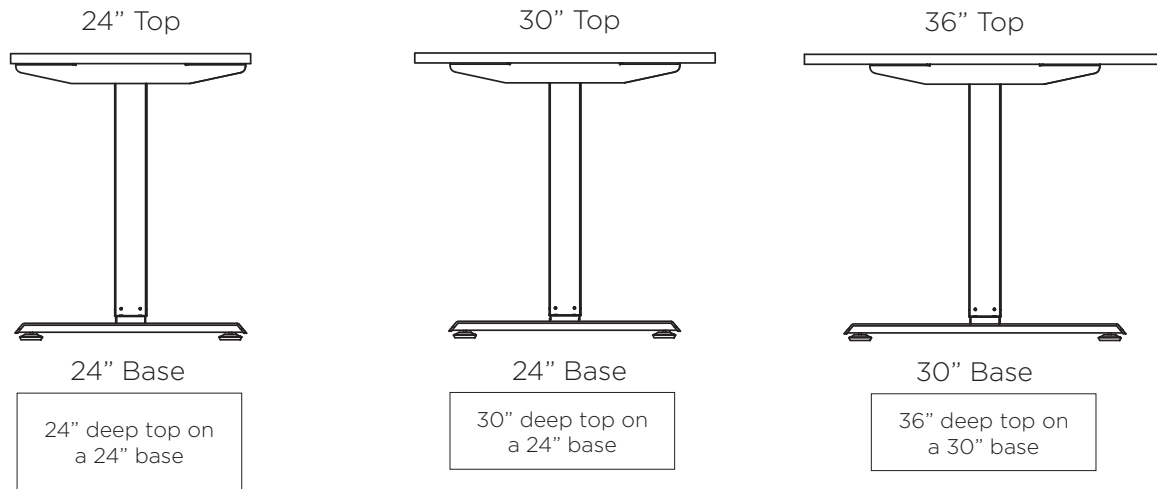


Interra Workstation Example:

- **Base:** FCNAHBT-24-3
3 stage base range 24.5"-50", page 31
- **Worksurface:** FIECCWS.29467029 L/R
Corner worksurface top only. For use with height adjustable base within workstation application - Interra Pricebook, page 70

Base Application — 3 stage

Worksurface depth



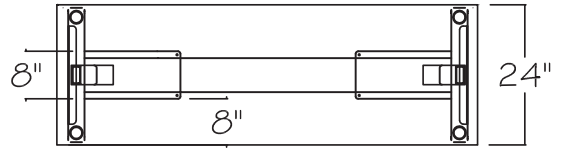
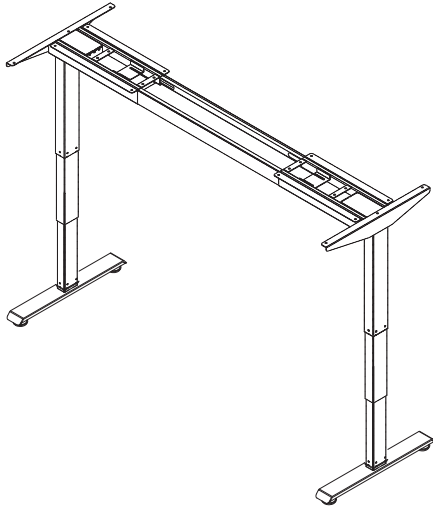
Electrical Draw of My-Hite — 3 stage

TABLE	MOTION	WATTS	AMPS
ONE (1) ADJUSTABLE TABLE	START UP DRAW	-	< 5 AMP
ONE (1) LOADED ADJUSTABLE TABLE	RUNNING DRAW	360W	4.16 AMP
ONE (1) EMPTY ADJUSTABLE TABLE	RUNNING DRAW	200W	2.08 AMP
ONE (1) ADJUSTABLE TABLE (NOT IN MOTION)	DRAW	-	0 AMP

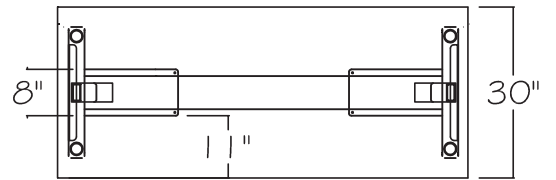
Trough Cover Dimensions — 3 stage

Fixed trough cover is 2.5" tall and 8" deep

T Style Base
72" wide tops shown

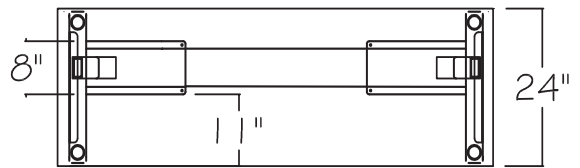
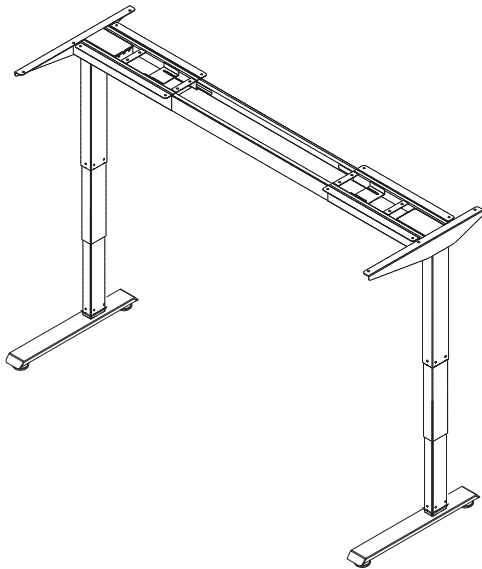


24" D top on 24"D base

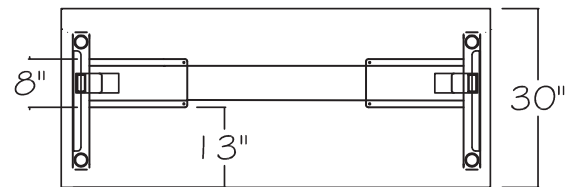


30" D top on 24"D base

C Style Base
72" wide tops shown



24" D top on 24"D base



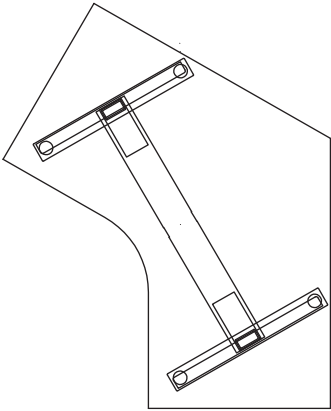
30" D top on 24"D base

Recommended Top Application — 3 stage

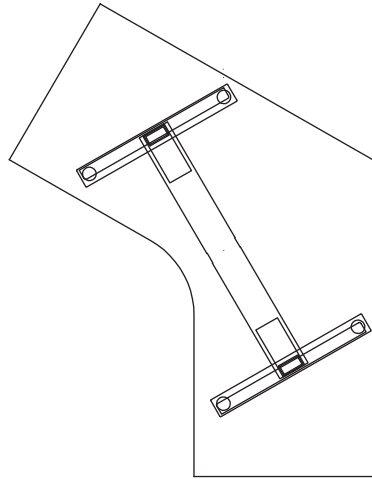
Corner Worksurfaces

1 120° Tops

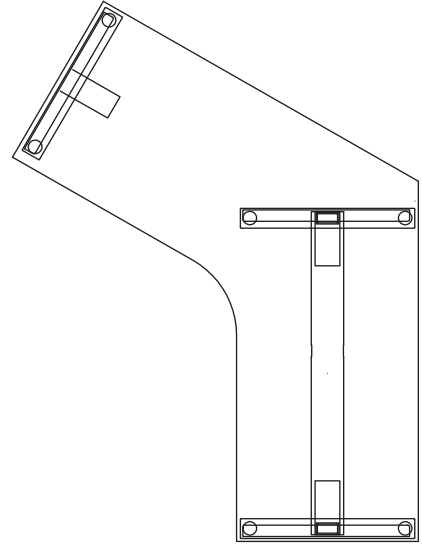
NOTES: 120° corners - use straight base on 36" and 42" wide worksurfaces.
Use corner base on worksurfaces 48" or larger.



36" Top
(Straight Base)



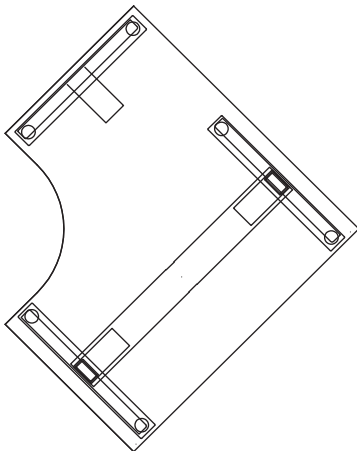
42" Top
(Straight Base)



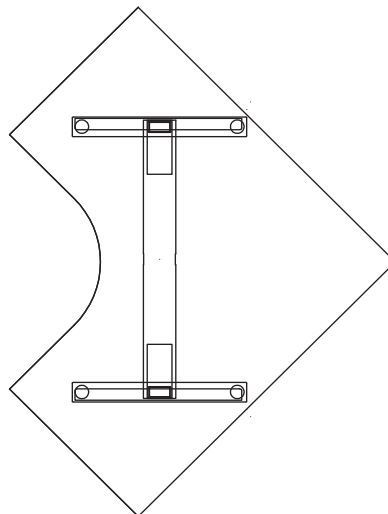
48" Top
(Corner Base)

2 90° Tops

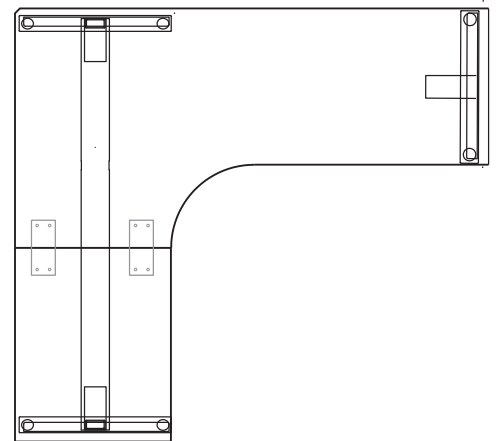
NOTES 90° corners - straight base is an option for 48" worksurfaces only.
Use corner base on 42" or extended corners.



All Corner Tops, Min: 42"
(Corner Base)



48" Top Only
(Straight Base or Corner Base)
straight base shown

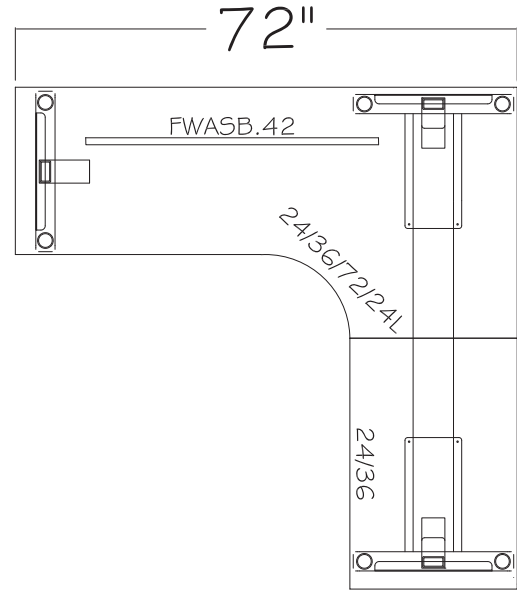
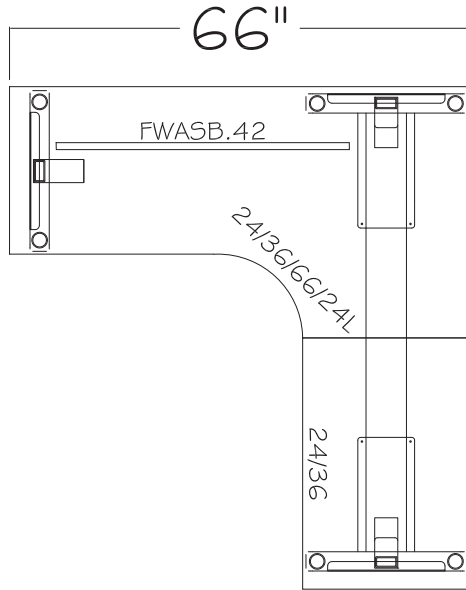


All Extended Corner Tops
(Corner Base)
72X72" top shown

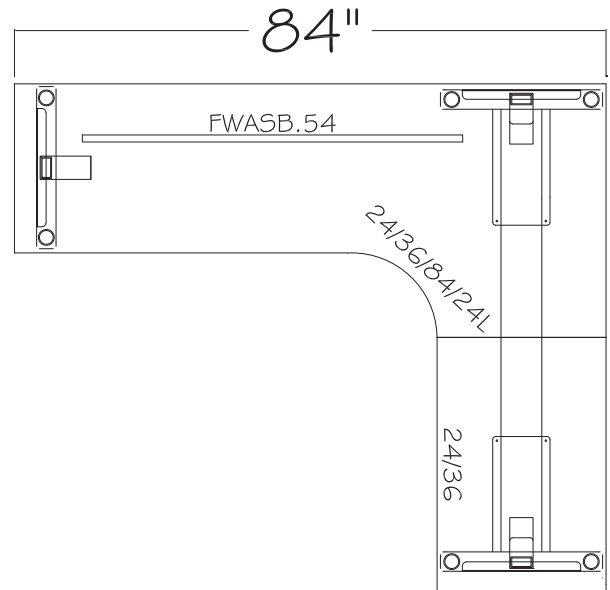
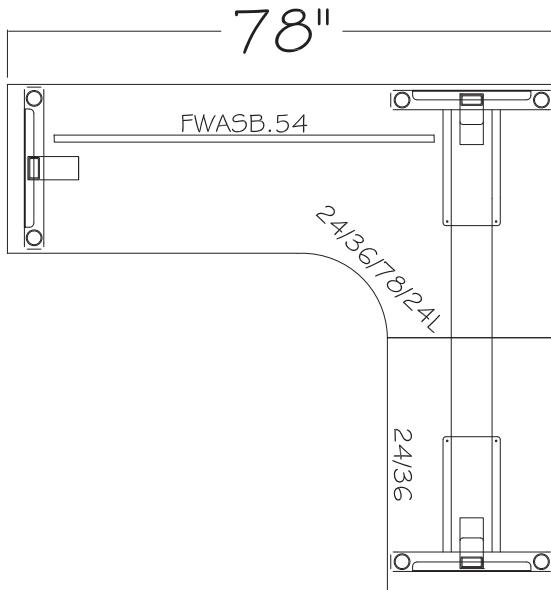
Recommended Anti-Sag Bar Application — 3 Stage Corner Base

When specifying two piece corners, the tops should be oriented so that the seam is supported by the continuous part of the base (see page 14). For some 3 stage corner base applications, we recommend adding an anti-sag bar for additional support. Specify anti-sag bars on page 45

For a 66"W or 72"W top, order a **FWASB.42** anti-sag bar



For a 78"W or 84"W top, order a **FWASB.54** anti-sag bar



Technical Specifications — 3 Stage

Straight Legs

See pages 29-30

Display	Digital display with three programmable presets
Foot Length in inches	22" and 28" available for 24" and 30", 36" worksurfaces
Legs	3 stage, available as as T or C leg
Leg Post Size	2.75" x 2.75"
Height range (excluding top)	24.5"- 50"
Frame width expansion	Width extendable 38"- 68" in 1 mm increments
Worksurface widths	42" - 84", See pages 39 to 49
Worksurface depths	24", 30" and 36", See pages 39 to 49
Power Cord Length	9'
Max lifting capacity	220 lbs
Base weight without top	62 lbs
Gauge of Steel	Inner/Middle tubes: 2mm / Outer tube 2mm = 12 gauge
Speed	40 mm/s
Table Not In Motion, Electrical Draw	0 W
Loaded Running Table, Electrical Draw	200/360 W
UL	UL962

Technical Specifications — 3 Stage

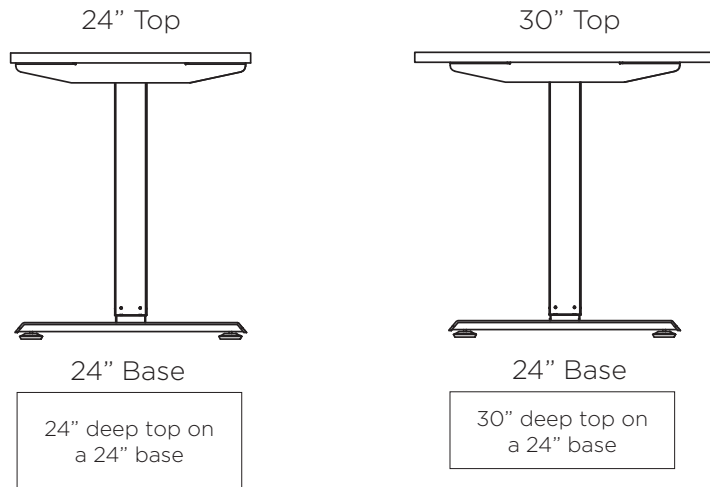
Corner

See pages 31 to 34

Display	Digital display with three programmable presets
Foot Length in inches	22" and 28" available for 24" and 30", 36" worksurfaces
Legs	3 stage, available as as T or C leg
Leg Post Size	2.75" x 2.75"
Height range (excluding top)	24.5"- 50"
Frame width expansion	Width extendable 38"- 68" in 1 mm increments
Worksurface widths	42" - 84", See pages 39 to 49
Worksurface depths	24", 30" and 36", See pages 39 to 49
Power Cord Length	9'
Max lifting capacity	330 lbs
Base weight without top	90 lbs
Gauge of Steel	Inner/Middle tubes: 2mm / Outer tube 2mm = 12 gauge
Speed	40 mm/s
Table Not In Motion, Electrical Draw	0 W
Loaded Running Table, Electrical Draw	200/360 W
UL	UL962

Base Application — 2 stage

Worksurface depth

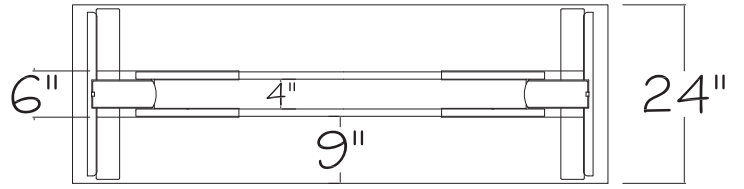
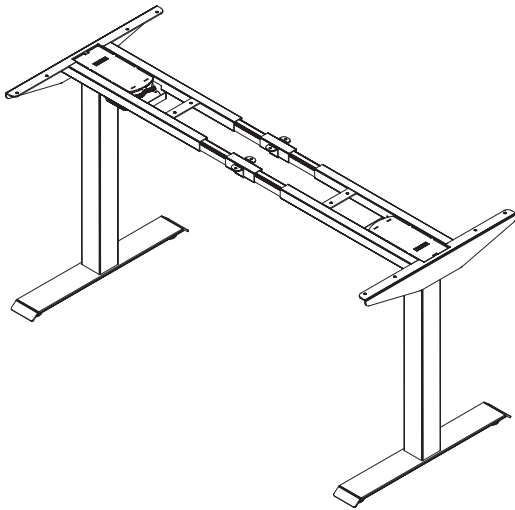


Electrical Draw of My-Hite — 2 stage

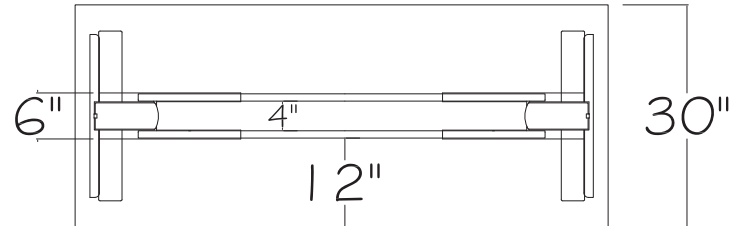
TABLE	MOTION	WATTS	AMPS
ONE (1) ADJUSTABLE TABLE	START UP DRAW	400W	< 5 AMP
ONE (1) LOADED ADJUSTABLE TABLE	RUNNING DRAW	400W	3 AMP
ONE (1) EMPTY ADJUSTABLE TABLE	RUNNING DRAW	200W	1.5 AMP
ONE (1) ADJUSTABLE TABLE (NOT IN MOTION)	DRAW	.3W	0 AMP

Understructure Dimensions — 2 stage

2 Stage Base
72" wide tops shown



24" D top on 2 Stage

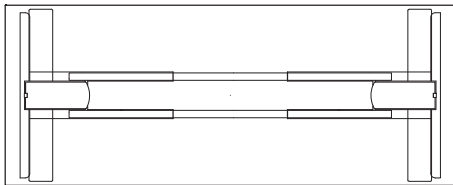


30" D top on 2 Stage base

Recommended Top Application – 2 stage

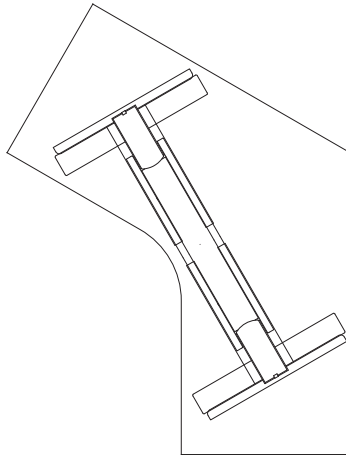
Certain sizes of My-Hite tops can be used with 2 stage bases. See below for additional information.

**Rectangular
(Straight Base)**



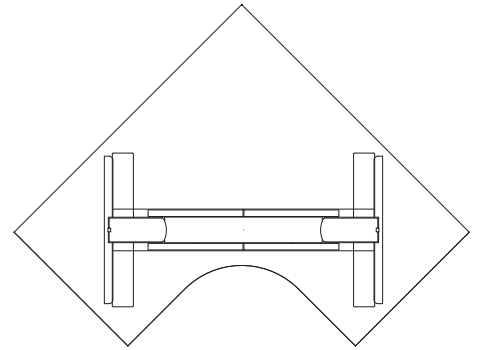
Depth: 23"/24", 29"/30"
Width: Min - 42" (no 40")
Max - 84"

**120° Corner
(Straight Base)**



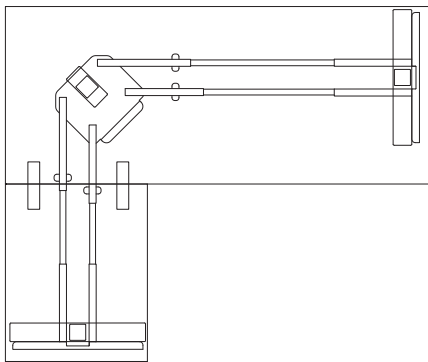
Depth: 23"/24"
Width: Min - 36" (no 34")
Max - 40"/42"

**90° Corner
(Straight Base)**



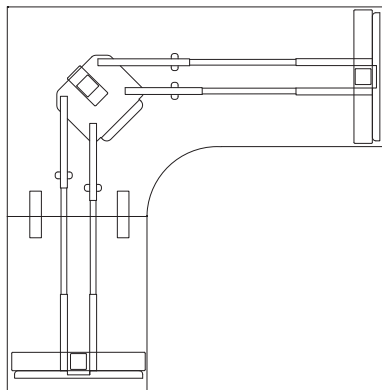
Depth: 23"/24", 29"/30"
Width: Min - 46"/48" only

**Two Piece Rectangular
(Corner Base)**



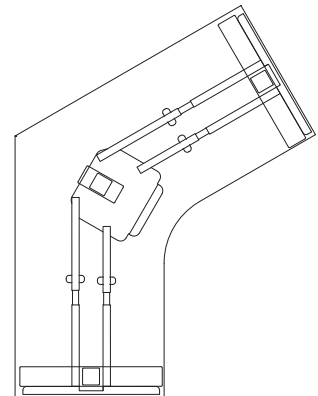
Depth: 23"/24", 29"/30"
Width: Min - 48"x48"
Max - 84"x84"

**Two Piece Extended Curved
Corner (Corner Base)**



Depth: 23"/24", 29"/30"
Width: Min - 48"x48"
Max - 84"x84"

**120° Corner
(Corner Base)**



Depth: 23"/24"
Width: Min - 42"x42" (no 40")
Max - 72"x72"

Technical Specifications — 2 stage

Straight Legs

See page 36

Display	Digital display with four programmable presets
Foot Options	24" ONLY
Legs	T LEG
Leg Post Size	2.72" x 2.72"
Height range(excluding top)	27"- 45.5"
Frame width expansion	Width extendable 41"- 74" in 1mm increments
Worksurface widths	42"- 84"
Worksurface depths	24" - 30"
Max lifting capacity	260 lbs
Base weight without top	66 lbs
Gauge of Steel	Inner/Middle tubes:1.5mm/Outer tube 1.5mm
Speed	36mm/s
Table Not in Motion,Electrical Draw	.3 W
Loaded Running Table,Electrical Draw	400W
Decibel Rating	50 db
Power Cord	10' cord - 3 PRONG PLUG
Finishes	CW, BU, SV
UL	UL962
Warranty	5 YEARS

Technical Specifications for Bases - 2 stage

Corner Legs

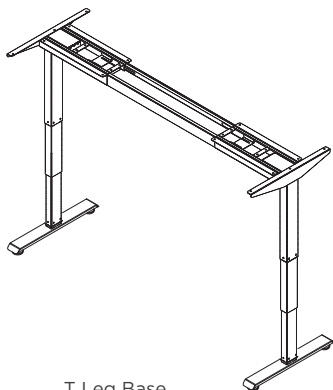
See page 37

Display	Digital display with four programmable presets
Foot Options	24"
Legs	T LEG
Leg Post Size	2.72" x 2.72"
Height range(excluding top)	27"- 45.5"
Frame width expansion	L: 40"- 62" / R:40"- 62"
Worksurface widths	48" - 84"
Worksurface depths	24" - 30"
Max lifting capacity	330 lbs
Base weight without top	85lbs
Gauge of Steel	Inner/Middle tubes:1.5mm/Outer tube 1.5mm
Speed	36mm/s
Table Not in Motion,Electrical Draw	.3 W
Loaded Running Table,Electrical Draw	400W
Decibel Rating	50 db
Power Cord	10' cord - 3 PRONG PLUG
Finishes	CW, BU, SV
UL	UL962
Warranty	5 years

SPECIFY 3 STAGE

Straight T-Leg Base

3 stage



T Leg Base

DESCRIPTION

Electric height 3 stage adjustable base range 24.5"-50"

NOTES

- Order worksurface separately
- Base adjusts 38" to 68" wide
- Maximum recommended top: 84"
- Minimum recommended top: 40"
- Weight load 220 lbs
- Fixed trough cover - see page 18
- Maximum recommended overhang of 12"

SPECIFICATION OPTIONS

product #: see charts below
base finish: page 7

ORDER EXAMPLE

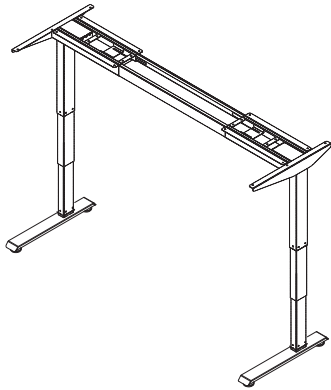
product #: FSQAHBT-24-3
base finish: SV Silver

STRAIGHT BASE

PART #	HEIGHT	WIDTH	DEPTH	PRICE	RECOMMENDED APPLICATION
FSQAHBT-24-3	24.5" - 50"	40"-68"	24"	\$1,738	<ul style="list-style-type: none"> • Order 24" base for use with 30" deep worksurfaces • Order 30" base for use with 36" deep worksurfaces • Minimum worksurface width: 40" • Maximum recommended worksurface width: 84" • 120° corners - use straight base on 36" and 42" wide worksurfaces • 90° corners, equal or extended - use corner base, page 19 (exception: 90° 48" top uses straight base, see images)
FSQAHBT-30-3	24.5" - 50"	40"-68"	30"	\$1,738	

Straight C-Leg Base

3 stage



C-Leg Base

DESCRIPTION

Electric height 3 stage adjustable base range 24.5"-50"

NOTES

- Order worksurface separately
- Base adjusts 38" to 68" wide
- Maximum recommended top: 84"
- Minimum recommended top: 40"
- Weight load 220 lbs
- Fixed trough cover - see page 18
- Maximum recommended overhang of 12"

SPECIFICATION OPTIONS

product #: see charts below
base finish: page 7

ORDER EXAMPLE

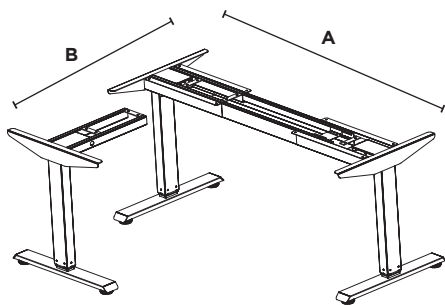
product #: FSQAHBC-24-3
base finish: CW Cloud White

STRAIGHT BASE

PART #	HEIGHT	WIDTH	DEPTH	PRICE	RECOMMENDED APPLICATION
FSQAHBC-24-3	24.5" - 50"	40"-68"	24"	\$1,738	<ul style="list-style-type: none"> • Order 24" base for use with 30" deep worksurfaces • Order 30" base for use with 36" deep worksurfaces • Minimum worksurface width: 40" • Maximum recommended worksurface width: 84" • 120° corners - use straight base on 36" and 42" wide worksurfaces • 90° corners, equal or extended - use corner base, page 19 (exception: 90° 48" top uses straight base, see images)
FSQAHBC-30-3	24.5" - 50"	40"-68"	30"	\$1,738	

Corner T-Leg Base

3 stage



T Leg Base

DESCRIPTION

Electric height 3 stage adjustable base range 24.5"-50"

NOTES

- Includes (3) T-Leg bases at the ends and middle of the worksurface
- Order worksurface separately
- Base is: **B** - 34"-54"
A - 38"-68"
- Minimum recommended top: 34x40"
- Maximum recommended top: 72x96" or 84x84"
- Rebound function may lose sensitivity on larger tables
- Weight load 331 lbs
- Fixed trough cover - see page 18
- Maximum recommended overhang of 12"

SPECIFICATION OPTIONS

product #: see charts below
base finish: page 7

ORDER EXAMPLE

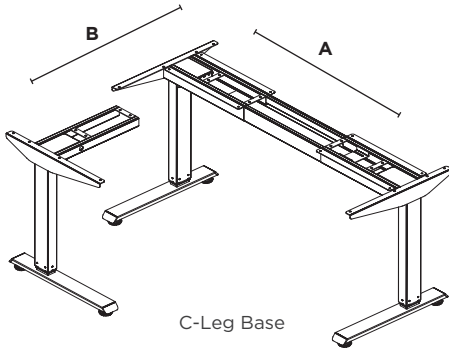
product #: FCNAHBT-24-3
base finish: CW Cloud White

CORNER BASE

PART #	HEIGHT	WIDTH	DEPTH	PRICE	RECOMMENDED APPLICATION
FCNAHBT-24-3	24.5" - 50"	40"-68"	24"	\$2,500	<ul style="list-style-type: none"> • Order 24" base for use with 30" deep worksurfaces • Order 30" base for use with 36" deep worksurfaces • 120° corners - use corner base on 48" wide worksurfaces • 90° corners - use corner base on 42" corner worksurfaces and all size extended corner worksurfaces • My-Hite bases are not for use with 36"x36" 90° corner worksurfaces • See page 19 for details
FCNAHBT-30-3	24.5" - 50"	40"-68"	30"	\$2,500	

Corner C-Leg Base

3 stage



C-Leg Base

DESCRIPTION

Electric height 3 stage adjustable base range 24.5"-50"

NOTES

- Includes (3) C-Leg bases at the ends and middle of the worksurface
- Order worksurface separately
- Base is: **B** - 34"-54"
A - 38"-68"
- Minimum recommended top: 34x40"
- Maximum recommended top: 72x96" or 84x84"
- Rebound function may loose sensitivity on larger tables
- Weight load 331 lbs
- Fixed trough cover - see page 18
- Maximum recommended overhang of 12"

SPECIFICATION OPTIONS

product #: see charts below
base finish: page 7

ORDER EXAMPLE

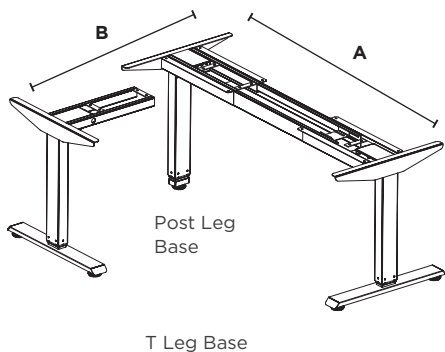
product #: FCNAHBC-24-3
base finish: CW Cloud White

CORNER BASE

PART #	HEIGHT	WIDTH	DEPTH	PRICE	RECOMMENDED APPLICATION
FCNAHBC-24-3	24.5" - 50"	40"-68"	24"	\$2,500	<ul style="list-style-type: none"> • Order 24" base for use with 30" deep worksurfaces • Order 30" base for use with 36" deep worksurfaces • 120° corners - use corner base on 48" wide worksurfaces • 90° corners - use corner base on 42" corner worksurfaces and all size extended corner worksurfaces • My-Hite bases are not for use with 36"x36" 90° corner worksurfaces • See page 19 for details
FCNAHBC-30-3	24.5" - 50"	40"-68"	30"	\$2,500	

Corner T-Leg Post Base

3 stage



DESCRIPTION

Electric height 3 stage adjustable base range 24.5"-50"

NOTES

- Includes (2) T-Leg bases at the ends and (1) Post Leg in the center
- Order worksurface separately
- Base is: **B** - 34"-54"
A - 38"-68"
- Minimum recommended top: 34x40"
- Maximum recommended top: 72x96" or 84x84"
- Rebound function may loose sensitivity on larger tables
- Weight load 331 lbs
- Fixed trough cover - see page 18
- Maximum recommended overhang of 12"

SPECIFICATION OPTIONS

product #: see charts below
base finish: page 7

ORDER EXAMPLE

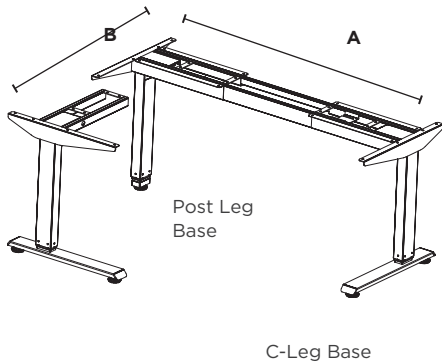
product #: FCNPAHBT-24-3
base finish: CW Cloud White

CORNER BASE

PART #	HEIGHT	WIDTH	DEPTH	PRICE	RECOMMENDED APPLICATION
FCNPAHBT-24-3	24.5" - 50"	40"-68"	24"	\$2,500	<ul style="list-style-type: none"> • Order 24" base for use with 30" deep worksurfaces • Order 30" base for use with 36" deep worksurfaces • 120° corners - use corner base on 48" wide worksurfaces • 90° corners - use corner base on 42" corner worksurfaces and all size extended corner worksurfaces • My-Hite bases are not for use with 36"x36" 90° corner worksurfaces • See page 19 for details
FCNPAHBT-30-3	24.5" - 50"	40"-68"	30"	\$2,500	

Corner C-Leg Post Base

3 stage



DESCRIPTION

Electric height 3 stage adjustable base range 24.5"-50"

NOTES

- Includes (2) C-Leg bases at the ends and (1) Post Leg in the center
- Order worksurface separately
- Base is: **B** - 34"-54"
A - 38"-68"
- Minimum recommended top: 34x40"
- Maximum recommended top: 72x96" or 84x84"
- Rebound function may loose sensitivity on larger tables
- Weight load 331 lbs
- Fixed trough cover - see page 18
- Maximum recommended overhang of 12"

SPECIFICATION OPTIONS

product #: see charts below
base finish: see page 7

ORDER EXAMPLE

product #: FCNPAHB-24-3
base finish: CW Cloud White

CORNER BASE

PART #	HEIGHT	WIDTH	DEPTH	PRICE
FCNPAHBC-24-3	24.5" - 50"	40"-68"	24"	\$2,500
FCNPAHBC-30-3	24.5" - 50"	40"-68"	30"	\$2,500

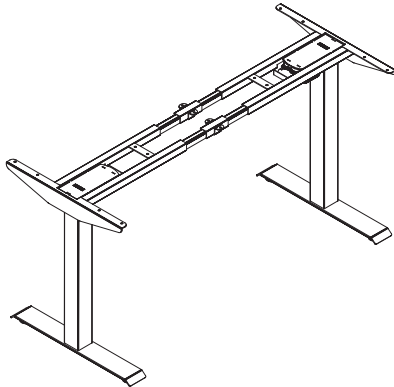
RECOMMENDED APPLICATION

- Order 24" base for use with 30" deep worksurfaces
- Order 30" base for use with 36" deep worksurfaces
- 120° corners - use corner base on 48" wide worksurfaces
- 90° corners - use corner base on 42" corner worksurfaces and all size extended corner worksurfaces
- My-Hite bases are not for use with 36"x36" 90° corner worksurfaces
- See page 19 for details

SPECIFY 2 STAGE

Straight T-Leg Base

2 stage



DESCRIPTION

Electric 2-stage height adjustable base range 27"- 45.5"

NOTES

- Order worksurface separately
- Base adjusts 41" to 74" wide
- Maximum recommended top: 84"
- Minimum recommended top: 42"
- Weight load - 260 lbs
- Maximum recommended overhang of 12"

SPECIFICATION OPTIONS

product #: see below
base finish: page 7

ORDER EXAMPLE

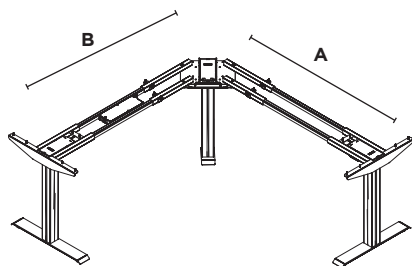
product #: FSQAHBT-24-2
base finish: SV Silver

STRAIGHT BASE

PART #	HEIGHT	WIDTH	DEPTH	PRICE	RECOMMENDED APPLICATION
FSQAHBT-24-2	27"- 45.5"	41"-74"	24"	\$1,479	<ul style="list-style-type: none"> • Supports 24" to 30" deep tops • For use with rectangular worksurfaces, certain sizes of 120° corners or 90° corners • See recommended top application on pg 25

Corner T-Leg Base

2 stage



DESCRIPTION

Electric 2-stage height adjustable base range 27"- 45.5"

NOTES

- Order Worksurface separately
- Base is:
 - A - 40" to 62"
 - B - 40" to 62"
- Minimum recommended top: 48"x48"
- Maximum recommended top: 84"x84"
- For tops 72"W and larger, we recommend adding extended support bars, order FSQAHT.S2.LB separately.
- See page 25 for recommended top applications
- Rebound function may loose sensitivity on larger tables
- Weight load 330 lbs
- Maximum recommended overhang of 12"
- Supports 90, 120 or 180 degree applications

SPECIFICATION OPTIONS

product #: see below
base finish: page 7

ORDER EXAMPLE

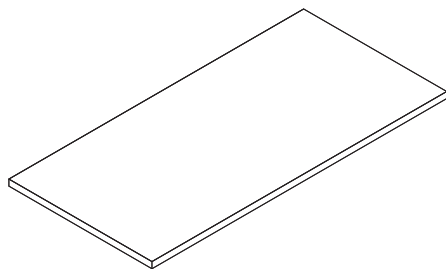
product #: FCNAHBT-24-2
base finish: SV Silver

CORNER BASE

PART #	HEIGHT	WIDTH	DEPTH	PRICE	RECOMMENDED APPLICATION
FCNAHBT-24-2	27"- 45.5"	40"-62"	24"	\$2,179	<ul style="list-style-type: none"> • For use with two piece curved corner or two piece rectangular worksurfaces • See recommended top application on pg 25

WORKSURFACES FOR FREESTANDING APPLICATION

Rectangular Freestanding Application



DESCRIPTION

Laminate worksurface with 3mm PVC edge

NOTES

- Tops are intended for freestanding application
- See system pricebook for use inside a paneled workstation
- Add grommet cutout (add \$75 list). Specify grommet placement (see page 8)

SPECIFICATION OPTIONS

product #: see charts below
edge finish: see page 7
worksurface finish: see page 7

ORDER EXAMPLE

product #: FSQAHT.3054
edge finish: DT Dark Tone, E12
worksurface finish: Light Maple, M1
grommet location: GL
grommet color: Cloud White

RECTANGULAR WORKSURFACE

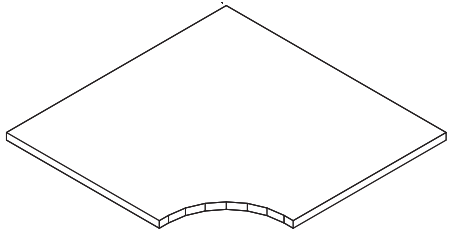
PART #	DEPTH	WIDTH	LIST
FSQAHT.2442	24"	42"	\$380
FSQAHT.2448	24"	48"	\$392
FSQAHT.2454	24"	54"	\$463
FSQAHT.2460	24"	60"	\$474
FSQAHT.2466	24"	66"	\$545
FSQAHT.2472	24"	72"	\$561
FSQAHT.2478	24"	78"	\$684
FSQAHT.2484	24"	84"	\$691
FSQAHT.3042	30"	42"	\$449
FSQAHT.3048	30"	48"	\$463
FSQAHT.3054	30"	54"	\$547
FSQAHT.3060	30"	60"	\$561
FSQAHT.3066	30"	66"	\$650
FSQAHT.3072	30"	72"	\$664
FSQAHT.3078	30"	78"	\$818
FSQAHT.3084	30"	84"	\$824
FSQAHT.3642	36"	42"	\$473
FSQAHT.3648	36"	48"	\$480
FSQAHT.3654	36"	54"	\$843
FSQAHT.3660	36"	60"	\$852
FSQAHT.3666	36"	66"	\$862
FSQAHT.3672	36"	72"	\$871
FSQAHT.3678	36"	78"	\$879
FSQAHT.3684	36"	84"	\$1,005

NOTES

- Sizes are actual . for example: FSQAHT.2448 is 23 7/8" x 47 7/8"
- Not recommended in paneled workstation applications
- Topsize not reduced to eliminate pinch points

Corner Freestanding Application

MY-HITE WORKSURFACES - FREESTANDING APPLICATION



CORNER WORKSURFACE

DESCRIPTION

Laminate worksurface with 3mm PVC edge

NOTES

- Tops are intended for freestanding application
- See System pricebook for use inside a paneled workstation
- Add grommet cutout (add \$75 list). Specify grommet placement (see page 8)

SPECIFICATION OPTIONS

product #: see charts below
edge finish: see page 7
worksurface finish: see page 7

ORDER EXAMPLE

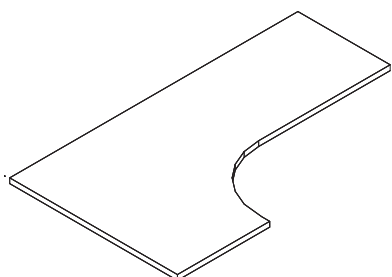
product #: FCCAHS.2448
edge finish: DT Dark Tone, E12
worksurface finish: Light Maple, M1
grommet location: GL
grommet color: Cloud White

PART #	DEPTH	WIDTH	LIST
FCCAHS.2442	24"	42"	\$626
FCCAHS.2448	24"	48"	\$662
FCCAHS.3042	30"	42"	\$681
FCCAHS.3048	30"	48"	\$715

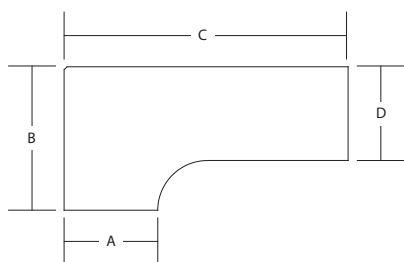
NOTES

- Sizes are actual . for example: FCCAHS.2448 is 23 7/8" x 47 7/8"
- Not recommended in paneled workstation applications
- Topsize not reduced to eliminate pinch points

90° Extended Curved Corner Freestanding Application



Right Extended shown



DESCRIPTION

Laminate worksurface with 3mm PVC edge

NOTES

- Tops are intended for freestanding application
- See system pricebook for use inside a paneled workstation
- Add grommet cutout (add \$75 list). Specify grommet placement (see page 8)

SPECIFICATION OPTIONS

product #: see charts below
edge finish: see page 7
worksurface finish: see page 7
left or right extended: L for Left, R for Right

ORDER EXAMPLE

product #: FCCAHS.24366024L
edge finish: E10 Espresso
worksurface finish: M11 Light Walnut
grommet location: PG5L-C
grommet color: Cloud White

24" D CONNECTING SIDE 24" D EXTENSION 36" D

PART #	HEIGHT	A	B	C	D	WT. (LBS)	PRICE
FCCAHS.24366024L	1.25"	24"	36"	60"	24"	76	\$718
FCCAHS.24366024R	1.25"	24"	36"	60"	24"	76	\$718
FCCAHS.24366624L	1.25"	24"	36"	66"	24"	76	\$800
FCCAHS.24366624R	1.25"	24"	36"	66"	24"	76	\$800
FCCAHS.24367224L	1.25"	24"	36"	72"	24"	82	\$813
FCCAHS.24367224R	1.25"	24"	36"	72"	24"	82	\$813
FCCAHS.24367824L	1.25"	24"	36"	78"	24"	82	\$974
FCCAHS.24367824R	1.25"	24"	36"	78"	24"	82	\$974
FCCAHS.24368424L	1.25"	24	36"	84	24	104	\$1,081
FCCAHS.24368424R	1.25"	24	36"	84	24	104	\$1,081

30" D CONNECTING SIDE 30" D EXTENSION 36" D

PART #	HEIGHT	A	B	C	D	WT. (LBS)	PRICE
FCCAHS.30366030L	1.25"	30"	36"	60"	30"	87	\$786
FCCAHS.30366030R	1.25"	30"	36"	60"	30"	87	\$786
FCCAHS.30366630L	1.25"	30"	36"	66"	30"	87	\$868
FCCAHS.30366630R	1.25"	30"	36"	66"	30"	87	\$868
FCCAHS.30367230L	1.25"	30"	36"	72"	30"	95	\$879
FCCAHS.30367230R	1.25"	30"	36"	72"	30"	95	\$879
FCCAHS.30367830L	1.25"	30"	36"	78"	30"	95	\$1,042
FCCAHS.30367830R	1.25"	30"	36"	78"	30"	95	\$1,042
FCCAHS.30368430L	1.25"	30"	36"	84	30"	112	\$1,145
FCCAHS.330368430R	1.25"	30"	36"	84	30"	112	\$1,145

**24" D CONNECTING SIDE
24" D EXTENSION
42" D**

PART #	HEIGHT	A	B	C	D	WT. (LBS)	PRICE
FCCAHS.24426024L	1.25"	24"	42"	60"	24"	83	\$865
FCCAHS.24426024R	1.25"	24"	42"	60"	24"	83	\$865
FCCAHS.24426624L	1.25"	24"	42"	66"	24"	83	\$972
FCCAHS.24426624R	1.25"	24"	42"	66"	24"	83	\$972
FCCAHS.24427224L	1.25"	24"	42"	72"	24"	89	\$987
FCCAHS.24427224R	1.25"	24"	42"	72"	24"	89	\$987
FCCAHS.24427824L	1.25"	24"	42"	78"	24"	89	\$1,196
FCCAHS.24427824R	1.25"	24"	42"	78"	24"	89	\$1,196
FCCAHS.24428424L	1.25"	24	42"	84	24	104	\$1,335
FCCAHS.24428424R	1.25"	24	42"	84	24	104	\$1,335

**30" D CONNECTING SIDE
30" D EXTENSION
42" D**

PART #	HEIGHT	A	B	C	D	WT. (LBS)	PRICE
FCCAHS.30426030L	1.25"	30"	42"	60"	30"	95	\$931
FCCAHS.30426030R	1.25"	30"	42"	60"	30"	95	\$931
FCCAHS.30426630L	1.25"	30"	42"	66"	30"	95	\$1,038
FCCAHS.30426630R	1.25"	30"	42"	66"	30"	95	\$1,038
FCCAHS.30427230L	1.25"	30"	42"	72"	30"	103	\$1,054
FCCAHS.30427230R	1.25"	30"	42"	72"	30"	103	\$1,054
FCCAHS.30427830L	1.25"	30"	42"	78"	30"	103	\$1,264
FCCAHS.30427830R	1.25"	30"	42"	78"	30"	103	\$1,264
FCCAHS.30428430L	1.25"	30"	42"	84	30"	112	\$1,401
FCCAHS.30428430R	1.25"	30"	42"	84	30"	112	\$1,401

**24" D CONNECTING SIDE
24" D EXTENSION
48" D**

PART #	HEIGHT	A	B	C	D	WT. (LBS)	PRICE
FCCAHS.24486024L	1.25"	24"	48"	60"	24"	89	\$877
FCCAHS.24486024R	1.25"	24"	48"	60"	24"	89	\$877
FCCAHS.24486624L	1.25"	24"	48"	66"	24"	89	\$987
FCCAHS.24486624R	1.25"	24"	48"	66"	24"	89	\$987
FCCAHS.24487224L	1.25"	24"	48"	72"	24"	95	\$1,009
FCCAHS.24487224R	1.25"	24"	48"	72"	24"	95	\$1,009
FCCAHS.24487824L	1.25"	24"	48"	78"	24"	95	\$1,229
FCCAHS.24487824R	1.25"	24"	48"	78"	24"	95	\$1,229
FCCAHS.24488424L	1.25"	24	48"	84	24	112	\$1,378
FCCAHS.24488424R	1.25"	24	48"	84	24	112	\$1,378

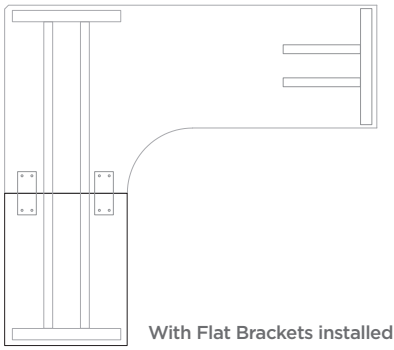
**30" D CONNECTING SIDE
30" D EXTENSION
48" D**

PART #	HEIGHT	A	B	C	D	WT. (LBS)	PRICE
FCCAHS.30486030L	1.25"	30"	48"	60"	30"	104	\$945
FCCAHS.30486030R	1.25"	30"	48"	60"	30"	104	\$945
FCCAHS.30486630L	1.25"	30"	48"	66"	30"	104	\$1,054
FCCAHS.30486630R	1.25"	30"	48"	66"	30"	104	\$1,054
FCCAHS.30487230L	1.25"	30"	48"	72"	30"	112	\$1,077
FCCAHS.30487230R	1.25"	30"	48"	72"	30"	112	\$1,077
FCCAHS.30487830L	1.25"	30"	48"	78"	30"	112	\$1,296
FCCAHS.30487830R	1.25"	30"	48"	78"	30"	112	\$1,296
FCCAHS.30488430L	1.25"	30"	48"	84"	30"	112	\$1,439
FCCAHS.30488430R	1.25"	30"	48"	84"	30"	112	\$1,439

MY-HITE WORKSURFACES - FREESTANDING APPLICATION

Rectangular Extension Freestanding Application

MY-HITE WORKSURFACES - FREESTANDING APPLICATION



DESCRIPTION

Laminate worksurface with 3mm PVC edge

NOTES

- For use in combination with Extended Corner Worksurfaces and Corner My-Hite Bases only
- Not for use alone, nor with straight bases
- Maximum width combined: 84x84" (for all bases) or 72x96" (3 stage base only)

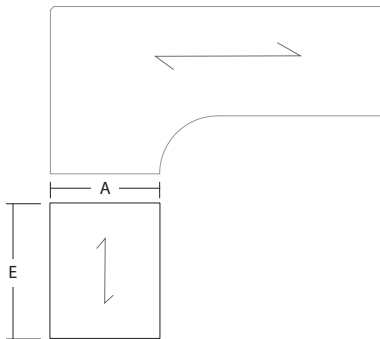
SPECIFICATION OPTIONS

product #: see charts below
worksurface finish: see page 7
edge finish: see page 7

ORDER EXAMPLE

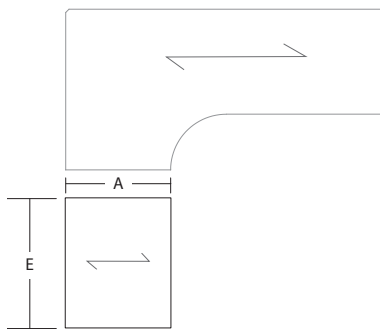
product #: FSQAHT.2424
worksurface finish: Light Maple, M1
edge finish: DT Dark Tone, E12

STANDARD GRAIN



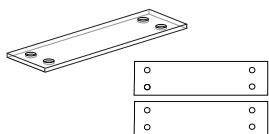
PART #	DEPTH "A"	WIDTH "E"	LIST	NOTES
FSQAHT.2424	24"	24"	\$299	<ul style="list-style-type: none"> • Sizes are actual . for example: FSQAHT.2424 is 23 7/8" x 23 7/8" • Not recommended in paneled workstation applications • Toplevel not reduced to eliminate pinch points • Standard default grain direction is left to right (See left)
FSQAHT.2430	24"	30"	\$342	
FSQAHT.2436	24"	36"	\$353	
FSQAHT.2442	24"	42"	\$380	
FSQAHT.2448	24"	48"	\$392	
FSQAHT.2454	24"	54"	\$463	
FSQAHT.2460	24"	60"	\$474	
FSQAHT.3024	30"	24"	\$396	
FSQAHT.3030	30"	30"	\$451	
FSQAHT.3036	30"	36"	\$464	
FSQAHT.3042	30"	42"	\$449	
FSQAHT.3048	30"	48"	\$463	
FSQAHT.3054	30"	54"	\$547	
FSQAHT.3060	30"	60"	\$561	

CROSS GRAIN



PART #	DEPTH "A"	WIDTH "E"	LIST	NOTES
FSQAHT.2430-CG	24"	30"	\$409	<ul style="list-style-type: none"> • Sizes are actual . for example: FSQAHT.2424 is 23 7/8" x 23 7/8" • Not recommended in paneled workstation applications • Toplevel not reduced to eliminate pinch points • Cross grain direction is front to back (See left) • For 24"x24" and 30"x30" cross grain tops, standard tops can be rotated 90 degrees
FSQAHT.2436-CG	24"	36"	\$423	
FSQAHT.2442-CG	24"	42"	\$456	
FSQAHT.2448-CG	24"	48"	\$470	
FSQAHT.2454-CG	24"	54"	\$555	
FSQAHT.2460-CG	24"	60"	\$569	
FSQAHT.3024-CG	30"	24"	\$475	
FSQAHT.3036-CG	30"	36"	\$557	
FSQAHT.3042-CG	30"	42"	\$539	
FSQAHT.3048-CG	30"	48"	\$555	
FSQAHT.3054-CG	30"	54"	\$656	
FSQAHT.3060-CG	30"	60"	\$673	

FLAT BRACKET



PART #	WIDTH	DEPTH	LIST	NOTES
FVFB.08	8"	2"	\$38	<ul style="list-style-type: none"> Used to unite two worksurfaces supported by one base. See page 14. Use a Flat Bracket pair to attach an Extended Curved Corner with a Rectangular Extension. Sold in pairs Black finish

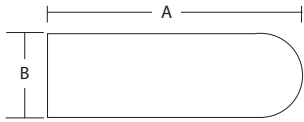
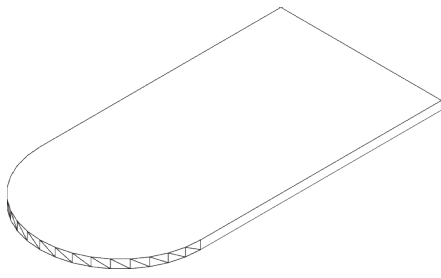
ANTI-SAG BARS



PART #	WIDTH	LIST	NOTES
FWASB.42	42"	\$120	<ul style="list-style-type: none"> See application guide on page 20 for anti-sag bar use with 3-stage corner My-Hite bases Anti-Sag bar, 42" wide with (8) screws. For use with 48 & 54" freestanding or panel-mounted worktops Anti-Sag bar, 54" wide with (10) screws. For use with 60 & 66" freestanding or panel-mounted worktops Anti-Sag bar, 66" wide with (12) screws. For use with 72 & 78" freestanding or panel-mounted worktops
FWASB.54	54"	\$153	
FWASB.66	66"	\$185	

D-Shaped Freestanding Application

MY-HITE WORKSURFACES - FREESTANDING APPLICATION



DESCRIPTION

Laminate worksurface with 3mm PVC edge

NOTES

- Tops are intended for freestanding application
- See system pricebook for use inside a paneled workstation
- Add grommet cutout (add \$75 list). Specify grommet placement (see page 8)

SPECIFICATION OPTIONS

product #: see charts below
edge finish: see page 7
worksurface finish: see page 7

ORDER EXAMPLE

product #: FDAHT.2448
edge finish: E10 Espresso
worksurface finish: M11 Light Walnut
grommet location: GC
grommet color: Cloud White

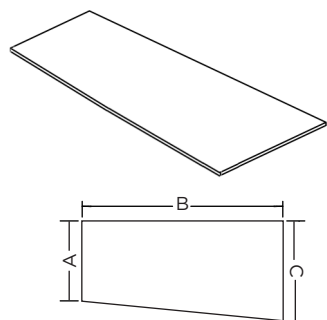
D-SHAPED

PART #	HEIGHT	A	B	C	D	PRICE
FDAHT.2448	1.25"	48"	24"	—	—	\$572
FDAHT.2460	1.25"	60"	24"	—	—	\$638
FDAHT.3048	1.25"	48"	30"	—	—	\$628
FDAHT.3060	1.25"	60"	30"	—	—	\$697
FDAHT.3072	1.25"	72"	30"	—	—	\$760
FDAHT.3672	1.25"	72"	36"	—	—	\$839

NOTES

- Sizes are actual - for example: FDAHT.2448 is 23 7/8" x 47 7/8"
- Not recommended in paneled workstation applications
- Topsize not reduced to eliminate pinch points

Wedge Freestanding Application



DESCRIPTION

Laminate worksurface with 3mm PVC edge

NOTES

- Tops are intended for freestanding application
- See system pricebook for use inside a paneled workstation
- Add grommet cutout (add \$75 list). Specify grommet placement (see page 8)

SPECIFICATION OPTIONS

product #: see charts below
edge finish: see page 7
worksurface finish: see page 7

ORDER EXAMPLE

product #: FWDAHT.244230
edge finish: E10 Espresso
worksurface finish: M11 Light Walnut
grommet location: PG5L-C
grommet color: Cloud White

24"D LEFT 30"D RIGHT

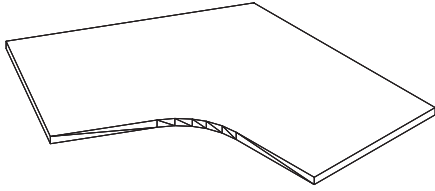
PART #	HEIGHT	A	B	C	D	PRICE	NOTES
FWDAHT.244230	1.25"	24"	42"	30"	—	\$444	<ul style="list-style-type: none"> • Sizes are actual - for example; FWDAHT-244230 is 23 7/8" x 41 7/8" x 29 7/8" • Not recommended in paneled workstation applications • Topsize not reduced to eliminate pinch points
FWDAHT.244830	1.25"	24"	48"	30"	—	\$452	
FWDAHT.245430	1.25"	24"	54"	30"	—	\$514	
FWDAHT.246030	1.25"	24"	60"	30"	—	\$550	
FWDAHT.246630	1.25"	24"	66"	30"	—	\$614	
FWDAHT.247230	1.25"	24"	72"	30"	—	\$628	
FWDAHT.247830	1.25"	24"	78"	30"	—	\$729	

30"D LEFT 24"D RIGHT

PART #	HEIGHT	A	B	C	D	PRICE
FWDAHT.304224	1.25"	30"	42"	24"	—	\$444
FWDAHT.304824	1.25"	30"	48"	24"	—	\$452
FWDAHT.305424	1.25"	30"	54"	24"	—	\$514
FWDAHT.306024	1.25"	30"	60"	24"	—	\$550
FWDAHT.306624	1.25"	30"	66"	24"	—	\$614
FWDAHT.307224	1.25"	30"	72"	24"	—	\$628
FWDAHT.307824	1.25"	30"	78"	24"	—	\$729

120° Corner / 90° Ends Freestanding Application

MY-HITE WORKSURFACES - FREESTANDING APPLICATION



DESCRIPTION

Laminate worksurface with 3mm PVC edge

NOTES

- Tops are intended for freestanding application
- See system pricebook for use inside a paneled workstation
- Add grommet cutout (add \$75 list). Specify grommet placement (see page 8)

SPECIFICATION OPTIONS

product #: see charts below
top, edge finish: see page 7
worksurface finish: see page 7

ORDER EXAMPLE

product #: F120AHT-90WS.2436
top, edge finish: E10 Espresso
worksurface finish: M11 Light Walnut
grommet location: 120GL
grommet color: Cloud White

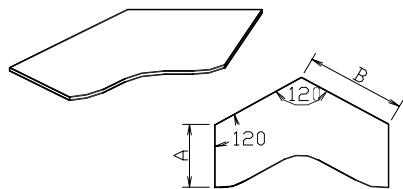
120° CORNER 90° ENDS

PART #	HEIGHT	A	B	C	D	PRICE
F120AHT-90WS.2436	1.25"	24"	36"	—	—	\$820
F120AHT-90WS.2442	1.25"	24"	42"	—	—	\$1,010
F120AHT-90WS.2448	1.25"	24"	48"	—	—	\$1,259

NOTES

- Sizes are actual - for example: „ F120AHT-90WS.2436 is 23 7/8 x 35 7/8”
- Not recommended in paneled workstation applications
- Topsize not reduced to eliminate pinch points

120° Corner / 120° Ends Freestanding Application



DESCRIPTION

Laminate worksurface with 3mm PVC edge

NOTES

- Tops are intended for freestanding application
- See system pricebook for use inside a paneled workstation
- Add grommet cutout (add \$75 list). Specify grommet placement (see page 8)

SPECIFICATION OPTIONS

product #: see charts below
edge finish: see page 7
worksurface finish: see page 7

ORDER EXAMPLE

product #: F120AHT-120WS.2436
edge finish: E10 Espresso
worksurface finish: M11 Light Walnut
grommet location: 120GL
grommet color: Cloud White

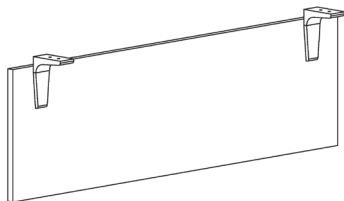
120° CORNER 120° ENDS

PART #	HEIGHT	A	B	C	D	PRICE
F120AHT-120WS.2436	1.25"	24"	36"	—	—	\$820
F120AHT-120WS.2442	1.25"	24"	42"	—	—	\$1,010
F120AHT-120WS.2448	1.25"	24"	48"	—	—	\$1,259

NOTES

- Sizes are actual - for example: F120AHT-120WS.2436 is 23 7/8" x 35 7/8"
- Not recommended in paneled workstation applications
- Topsize not reduced to eliminate pinch points

Modesty Panel, Laminate



DESCRIPTION

Laminate modesty panel with matching 2mm PVC edge

NOTES

- Actual modesty is shorter than the worktop to clear the My-Hite base.
- Example: FAHLMOD.1648 for use on 46"/48" width table, actual width is 40"

SPECIFICATION OPTIONS

product #: see charts below
Paint (Brackets) CW, BU, SV
Laminate (Modesty Panel) see page 7

ORDER EXAMPLE

product #: FAHLMOD.0860
paint: CW, Cloud White
laminate: M12, Medium Walnut

Laminate Modesty Panel

PART #	HEIGHT	WIDTH	LIST
FAHLMOD.0842	8"	34"	\$233
FAHLMOD.0848	8"	40"	\$241
FAHLMOD.0854	8"	46"	\$248
FAHLMOD.0860	8"	52"	\$367
FAHLMOD.0866	8"	58"	\$374
FAHLMOD.0872	8"	64"	\$382
FAHLMOD.0878	8"	70"	\$390

NOTES

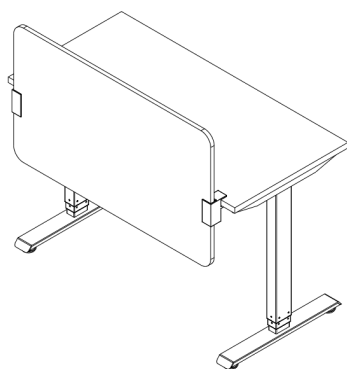
- Modesty panel will be shorter than top to clear the My-Hite base.

Example:

1. FSQAHT-2460 order FAHLMOD.1660 (actual width 52")
2. FIRWS.2370 (Interra pricebook) order FAHLMOD.1672 (actual width 64")

FAHLMOD.1642	16"	34"	\$287
FAHLMOD.1648	16"	40"	\$295
FAHLMOD.1654	16"	46"	\$302
FAHLMOD.1660	16"	52"	\$466
FAHLMOD.1666	16"	58"	\$472
FAHLMOD.1672	16"	64"	\$479
FAHLMOD.1678	16"	70"	\$488

Privacy Screen, Fabric



DESCRIPTION

Work Surface mounted fabric covered privacy screen

NOTES

- Fabric screen is non-tackable
- To use a wire manager on your My-Hite table with a fabric covered privacy screen, you must order "with gap".
- Actual screen is shorter than the worktop.
- Example: FPSFLUSH.2448 for use on 46"/48" width table, actual width of screen is 40".
- **Passage and Terrain fabric not approved for this application**

SPECIFICATION OPTIONS

product #: see charts below
Paint (Brackets): CW, BU, SV
fabric: see page 5 (Passage and Terrain fabric not approved for this application)

ORDER EXAMPLE

product #: FPSFLUSH.2448
brackets: SV, Silver
fabric: PF-101-2 Slide, Slate

Fabric Privacy Screen - Flush

Have grommet? Go flush

PART #	HEIGHT	WIDTH	LIST
FPSFLUSH.2442	24"	34"	\$651
FPSFLUSH.2448	24"	40"	\$704
FPSFLUSH.2454	24"	46"	\$758
FPSFLUSH.2460	24"	52"	\$814
FPSFLUSH.2466	24"	58"	\$870
FPSFLUSH.2472	24"	64"	\$925

NOTES

- Privacy screen sits flush with the back of the worktop.
- Privacy screen is 8" shorter than free standing top width and 6" shorter than a worksurface from a paneled system.
- Example:
- FSQAHT-2460 order FPSFLUSH.2460 (actual width 52")

Fabric Privacy Screen - with Wire Management Gap

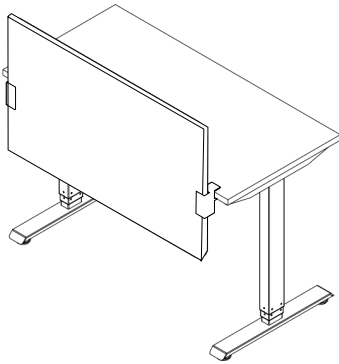
Need space between the screen and top? Add gap

PART #	HEIGHT	WIDTH	LIST
FPSGAP.2442	24"	34"	\$651
FPSGAP.2448	24"	40"	\$704
FPSGAP.2454	24"	46"	\$758
FPSGAP.2460	24"	52"	\$814
FPSGAP.2466	24"	58"	\$870
FPSGAP.2472	24"	64"	\$925

NOTES

- With 1" gap at back of worksurface for cord/wire management.
- Example:
1. FSQAHT-2460 order FPSGAP.2460 (actual width 52")
- Privacy screen sits flush with the back of the worktop.
 - Privacy screen is 8" shorter than free standing top width and 6" shorter than a worksurface from a paneled system.
- Example:
1. FSQAHT-2460 order FPSGAP.2460 (actual width 52")

Privacy Screen, Marker Board



DESCRIPTION

Work Surface mounted marker board privacy screen

NOTES

- To use a wire manager on your My-Hite table with a marker board privacy screen, you must order "with gap".
- Marker board screen is writable on both sides
- Actual screen is shorter than the worktop.
- Example: FMPSFLUSH.2448 for use on 46"/48" width table, actual width of screen is 40"

SPECIFICATION OPTIONS

product #: see charts below
Paint (Brackets): CW, BU, SV

ORDER EXAMPLE

product #: FMPSFLUSH.2448
brackets: SV, Silver

Marker Board Privacy Screen - Flush

Have grommet? Go flush

PART #	HEIGHT	WIDTH	LIST
FMPSFLUSH.2442	24"	34"	\$787
FMPSFLUSH.2448	24"	40"	\$901
FMPSFLUSH.2454	24"	46"	\$1,015
FMPSFLUSH.2460	24"	52"	\$1,131
FMPSFLUSH.2466	24"	58"	\$1,245
FMPSFLUSH.2472	24"	64"	\$1,360

NOTES

- Privacy screen sits flush with the back of the worktop.
- Privacy screen is 8" shorter than free standing top width and 6" shorter than a worksurface from a paneled system.

Example:

1. FSQAHT-2460 order FMPSFLUSH.2460 (actual width 52")

Marker Board Privacy Screen-with Wire Management Gap

Need space between the screen and top? Add gap

PART #	HEIGHT	WIDTH	LIST
FMPGAP.2442	24"	34"	\$787
FMPGAP.2448	24"	40"	\$901
FMPGAP.2454	24"	46"	\$1,015
FMPGAP.2460	24"	52"	\$1,131
FMPGAP.2466	24"	58"	\$1,245
FMPGAP.2472	24"	64"	\$1,360

NOTES

- With 1" gap at back of worksurface for cord/wire management.

Example:

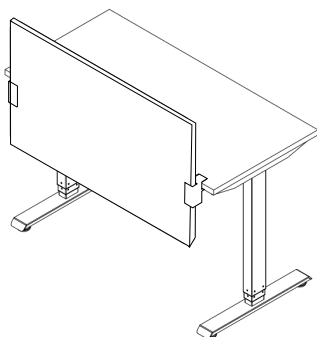
1. FSQAHT-2460 order FMPGAP.2460 (actual width 52")

- Privacy screen sits flush with the back of the worktop.
- Privacy screen is 8" shorter than free standing top width and 6" shorter than a worksurface from a paneled system.

Example:

1. FSQAHT-2460 order FMPGAP.2460 (actual width 52")

Privacy Screen, Laminate



DESCRIPTION

Work Surface mounted laminate privacy screen

NOTES

- To use a wire manager on your My-Hite table with a laminate privacy screen, you must order "with gap".
- Actual screen is shorter than the worktop.

SPECIFICATION OPTIONS

product #: see charts below
Paint (Brackets): CW, BU, SV
finish: see page 7

ORDER EXAMPLE

product #: FPSFLUSH.2454
brackets: SV, Silver

Laminate Privacy Screen - Flush

Have grommet? Go flush

PART #	HEIGHT	WIDTH	LIST
FLPSFLUSH.2442	24"	34"	\$423
FLPSFLUSH.2448	24"	40"	\$472
FLPSFLUSH.2454	24"	46"	\$519
FLPSFLUSH.2460	24"	52"	\$566
FLPSFLUSH.2466	24"	58"	\$614
FLPSFLUSH.2472	24"	64"	\$661

NOTES

- Privacy screen sits flush with the back of the worktop.
- Privacy screen is 8" shorter than free standing top width and 6" shorter than a worksurface from a paneled system.

Example:

1. FSQAHT-2460 order FPSFLUSH.2460 (actual width 52")

Laminate Privacy Screen - with Wire Management Gap

Need space between the screen and top? Add gap

PART #	HEIGHT	WIDTH	LIST
FLPSGAP.2442	24"	34"	\$423
FLPSGAP.2448	24"	40"	\$472
FLPSGAP.2454	24"	46"	\$519
FLPSGAP.2460	24"	52"	\$566
FLPSGAP.2466	24"	58"	\$614
FLPSGAP.2472	24"	64"	\$661

NOTES

- With 1" gap at back of worksurface for cord/wire management.

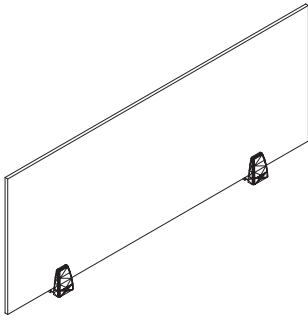
Example:

1. FSQAHT-2460 order FPSGAP.2460 (actual width 52")
- Privacy screen sits flush with the back of the worktop.
 - Privacy screen is 8" shorter than free standing top width and 6" shorter than a worksurface from a paneled system.

Example:

1. FSQAHT-2460 order FLPSGAP.2460 (actual width 52")

Worksurface Mounted Screens, Clear



DESCRIPTION

Surface mounted glass screens, including hardware.

NOTES

- Includes: (2) supporting brackets for screens up to 48"W, (3) supporting brackets for screens 54"W and wider.
- Mounts to any laminate/veneer worksurface top.

SPECIFICATION OPTIONS

product #: see charts below
Paint (Brackets) CW, BU, SV

ORDER EXAMPLE

product #: FWSMG.0824-CL
paint: SV Silver

PRIVACY SCREENS

Glass Screens, Clear 8" HIGH

PART #	HEIGHT	WIDTH	LIST
FWSMG.0824-CL	8"	24"	\$184
FWSMG.0830-CL	8"	30"	\$199
FWSMG.0836-CL	8"	36"	\$215
FWSMG.0842-CL	8"	42"	\$230
FWSMG.0848-CL	8"	48"	\$244
FWSMG.0854-CL	8"	54"	\$321
FWSMG.0860-CL	8"	60"	\$336
FWSMG.0866-CL	8"	66"	\$351
FWSMG.0872-CL	8"	72"	\$365

NOTES

- Screen mounts to any laminate/veneer worksurface top

Glass Screens, Clear 14" HIGH

PART #	HEIGHT	WIDTH	LIST
FWSMG.1424-CL	14"	24"	\$231
FWSMG.1430-CL	14"	30"	\$256
FWSMG.1436-CL	14"	36"	\$280
FWSMG.1442-CL	14"	42"	\$304
FWSMG.1448-CL	14"	48"	\$332
FWSMG.1454-CL	14"	54"	\$418
FWSMG.1460-CL	14"	60"	\$441
FWSMG.1466-CL	14"	66"	\$464
FWSMG.1472-CL	14"	72"	\$486

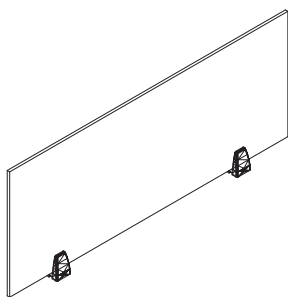
NOTES

- Screen mounts to any laminate/veneer worksurface top

Glass Screens, Clear 15" HIGH

PART #	HEIGHT	WIDTH	LIST
FWSMG.1522-CL	15"	22"	\$315
FWSMG.1528-CL	15"	28"	\$336

Worksurface Mounted Screens, Frosted



DESCRIPTION

Surface mounted glass screens, including hardware

SPECIFICATION OPTIONS

product #: see charts below
Paint (Brackets) CW, BU, SV

NOTES

- Includes: (2) supporting brackets for screens up to 48"W, (3) supporting brackets for screens 54"W and wider.
- Mounts to any laminate/veneer worksurface top.

ORDER EXAMPLE

product #: FWSMG.0824-FR
paint: SV Silver

Glass Screens, Frosted 8" HIGH

PART #	HEIGHT	WIDTH	LIST
FWSMG.0824-FR	8"	24"	\$257
FWSMG.0830-FR	8"	30"	\$291
FWSMG.0836-FR	8"	36"	\$325
FWSMG.0842-FR	8"	42"	\$361
FWSMG.0848-FR	8"	48"	\$395
FWSMG.0854-FR	8"	54"	\$461
FWSMG.0860-FR	8"	60"	\$474
FWSMG.0866-FR	8"	66"	\$486
FWSMG.0872-FR	8"	72"	\$500

NOTES

- Screen mounts to any laminate/veneer worksurface top

Glass Screens, Frosted 14" HIGH

PART #	HEIGHT	WIDTH	LIST
FWSMG.1424-FR	14"	24"	\$360
FWSMG.1430-FR	14"	30"	\$419
FWSMG.1436-FR	14"	36"	\$479
FWSMG.1442-FR	14"	42"	\$534
FWSMG.1448-FR	14"	48"	\$597
FWSMG.1454-FR	14"	54"	\$665
FWSMG.1460-FR	14"	60"	\$715
FWSMG.1466-FR	14"	66"	\$765
FWSMG.1472-FR	14"	72"	\$816

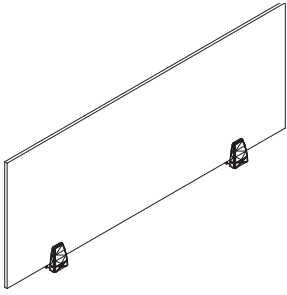
NOTES

- Screen mounts to any laminate/veneer worksurface top

Glass Screens, Frosted 15" HIGH

PART #	HEIGHT	WIDTH	LIST
FWSMG.1522-FR	15"	22"	\$438
FWSMG.1528-FR	15"	28"	\$491

Worksurface Mounted Screens, Fabric



DESCRIPTION

Surface mounted fabric screens, including hardware

SPECIFICATION OPTIONS

product #: see charts below
Paint (Brackets) CW, BU, SV
fabric: see page 5 (Passage and Terrain fabric not approved for this application)

NOTES

- Includes: (2) supporting brackets for screens up to 48"W, (3) supporting brackets for screens 54"W and wider.
- Mounts to any laminate/veneer worksurface top.
- **Passage and Terrain fabric not approved for this application**

ORDER EXAMPLE

product #: FWSMTK.1424
paint: SV Silver
fabric: PF-101-2 Slide, Slate

PRIVACY SCREENS

Fabric Screens, 14" HIGH

PART #	HEIGHT	WIDTH	LIST
FWSMTK.1424	14"	24"	\$329
FWSMTK.1430	14"	30"	\$345
FWSMTK.1436	14"	36"	\$414
FWSMTK.1442	14"	42"	\$414
FWSMTK.1448	14"	48"	\$480
FWSMTK.1454	14"	54"	\$584
FWSMTK.1460	14"	60"	\$617
FWSMTK.1466	14"	66"	\$617
FWSMTK.1472	14"	72"	\$651

NOTES

- Screen mounts to any laminate/veneer worksurface top

Fabric Screens, 14" HIGH

PART #	HEIGHT	WIDTH	LIST
FWSMTK.1422	14"	22"	\$329
FWSMTK.1428	14"	28"	\$345

NOTES

- Screen mounts to any laminate/veneer worksurface top

Fabric Screens, 24" HIGH

PART #	HEIGHT	WIDTH	LIST
FWSMTK.2424	24"	24"	\$667
FWSMTK.2430	24"	30"	\$700
FWSMTK.2436	24"	36"	\$818
FWSMTK.2442	24"	42"	\$854
FWSMTK.2448	24"	48"	\$952
FWSMTK.2454	24"	54"	\$1,093
FWSMTK.2460	24"	60"	\$1,192
FWSMTK.2466	24"	66"	\$1,205
FWSMTK.2472	24"	72"	\$1,303

NOTES

- Screen mounts to any laminate/veneer worksurface top

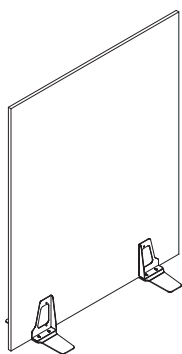
Fabric Screens, 24" HIGH

PART #	HEIGHT	WIDTH	LIST
FWSMTK.2422	24"	22"	\$663
FWSMTK.2428	24"	28"	\$696

NOTES

- Screen mounts to any laminate/veneer worksurface top

SHIELD Freestanding Laminate Panel Feet



DESCRIPTION

Freestanding laminate panel with feet.

NOTES

- Dimensions are actual
- Laminate is 3/4" thick
- Painted metal feet in Cloud White

SPECIFICATION OPTIONS

product #: see charts below
surface finish: see page 7

ORDER EXAMPLE

product #: FZFS.4853
surface finish: M10 Espresso

45" HIGH

PART #	HEIGHT	WIDTH	LIST
FZFS.3045	45"	30"	\$1,214
FZFS.3645	45"	36"	\$1,296
FZFS.4245	45"	42"	\$1,378
FZFS.4845	45"	48"	\$1,458

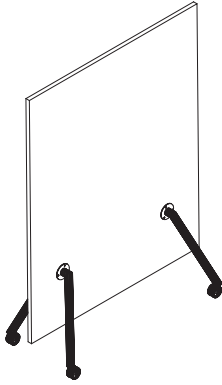
53" HIGH

PART #	HEIGHT	WIDTH	LIST
FZFS.3053	53"	30"	\$1,288
FZFS.3653	53"	36"	\$1,383
FZFS.4253	53"	42"	\$1,478
FZFS.4853	53"	48"	\$1,574

60" HIGH

PART #	HEIGHT	WIDTH	LIST
FZFS.3060	60"	30"	\$1,352
FZFS.3660	60"	36"	\$1,513
FZFS.4260	60"	42"	\$1,621
FZFS.4860	60"	48"	\$1,728

SHIELD Freestanding Laminate Panel Casters



DESCRIPTION

Freestanding laminate panel with casters.

NOTES

- Dimensions are actual
- Laminate is 3/4" thick
- Legs are cloud white, casters are white
- Includes 4 locking casters

SPECIFICATION OPTIONS

product #: see charts below
surface finish: see page 7

ORDER EXAMPLE

product #: FZFSMOB.4845
surface finish: M10 Espresso

45" HIGH

PART #	HEIGHT	WIDTH	LIST
FZFSMOB.4245	45"	42"	\$1,560
FZFSMOB.4845	45"	48"	\$1,642

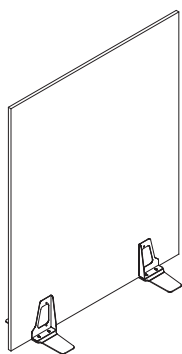
53" HIGH

PART #	HEIGHT	WIDTH	LIST
FZFSMOB.4253	53"	42"	\$1,662
FZFSMOB.4853	53"	48"	\$1,756

60" HIGH

PART #	HEIGHT	WIDTH	LIST
FZFSMOB.4260	60"	42"	\$1,752
FZFSMOB.4860	60"	48"	\$1,859

SHIELD Freestanding Markerboard Panel Feet



DESCRIPTION

Freestanding markerboard panel with feet.

SPECIFICATION OPTIONS

product #: see charts below

NOTES

- Dimensions are actual
- Markerboard is 3/4" thick
- Painted metal feet in Cloud White

ORDER EXAMPLE

product #: FZFMBS.4853

45" HIGH

PART #	HEIGHT	WIDTH	LIST
FZFMBS.3045	45"	30"	\$1,915
FZFMBS.3645	45"	36"	\$2,136
FZFMBS.4245	45"	42"	\$2,359
FZFMBS.4845	45"	48"	\$2,579

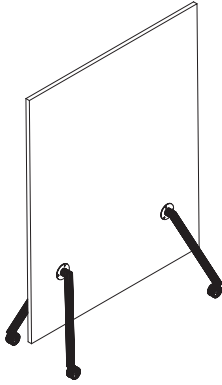
53" HIGH

PART #	HEIGHT	WIDTH	LIST
FZFMBS.3053	53"	30"	\$2,112
FZFMBS.3653	53"	36"	\$2,373
FZFMBS.4253	53"	42"	\$2,634
FZFMBS.4853	53"	48"	\$2,894

60" HIGH

PART #	HEIGHT	WIDTH	LIST
FZFMBS.3060	60"	30"	\$2,286
FZFMBS.3660	60"	36"	\$2,634
FZFMBS.4260	60"	42"	\$2,930
FZFMBS.4860	60"	48"	\$3,224

SHIELD Freestanding Markerboard Panel Casters



DESCRIPTION

Freestanding markerboard panel with casters.

NOTES

- Dimensions are actual
- Markerboard is 3/4" thick
- Legs are cloud white, casters are white
- Includes 4 locking casters

SPECIFICATION OPTIONS

product #: see charts below

ORDER EXAMPLE

product #: FZFMBSMOB.4845

45" HIGH

PART #	HEIGHT	WIDTH	LIST
FZFMBSMOB.4245	45"	42"	\$2,540
FZFMBSMOB.4845	45"	48"	\$2,763

53" HIGH

PART #	HEIGHT	WIDTH	LIST
FZFMBSMOB.4253	53"	42"	\$2,817
FZFMBSMOB.4853	53"	48"	\$3,078

60" HIGH

PART #	HEIGHT	WIDTH	LIST
FZFMBSMOB.4260	60"	42"	\$3,059
FZFMBSMOB.4860	60"	48"	\$3,352