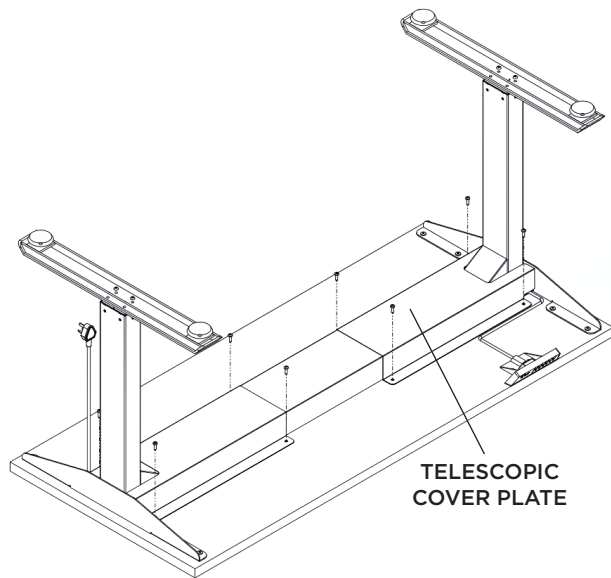


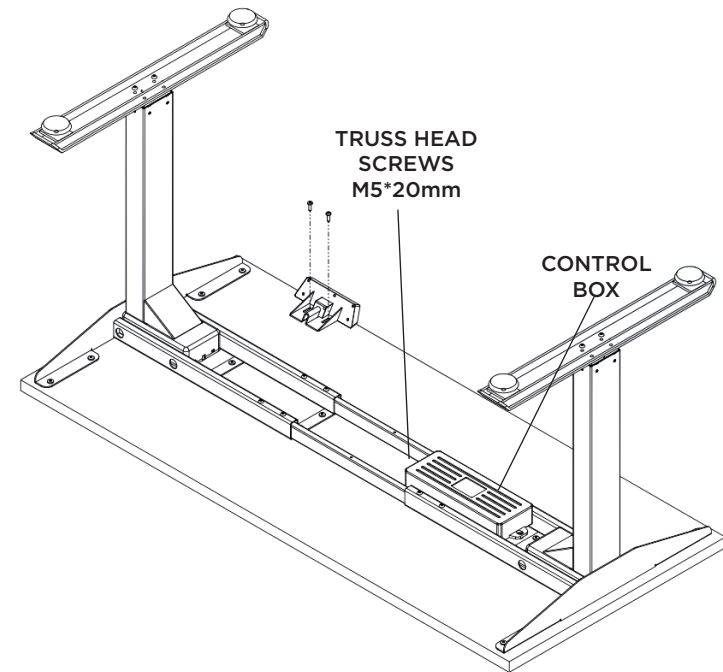
My Hite 3 Stage Control Box Replacement

Step 1: Remove the telescopic cover plate covering the control box.



Step 2: Slide the middle trough to one side to reveal the control box.

Step 3: Unscrew the Truss Head Screws securing the control box



Step 4: Disconnect wiring and slide the control box out from its housing. Replace with new control box.

Step 5: Resecure the control box with the truss head screws, slide the middle trough back in place, and resecure the cover plate.