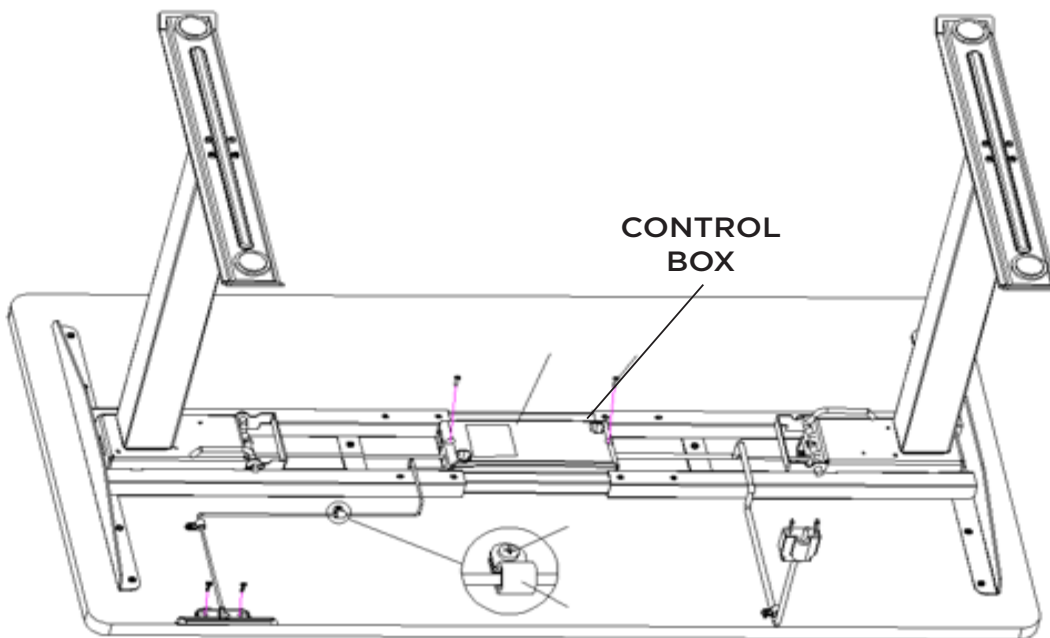


# My Hite 2 Stage Control Box Replacement

**Step 1:** Disconnect wiring. Remove the wood screws securing the control box to the worksurface



**Step 2:** Unwedge the control box from the frame. Replace with new control box

**Step 3:** Wedge the new control box back in the frame and secure with wood screws. Reconnect wiring.