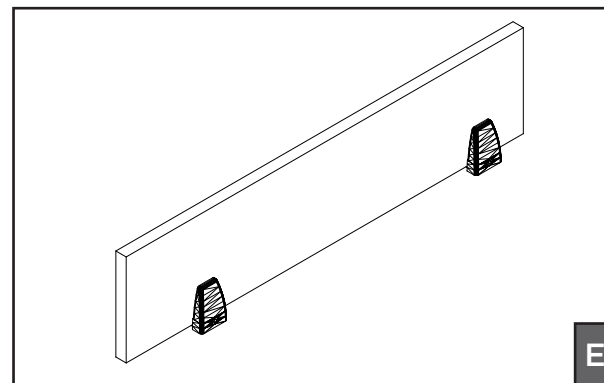
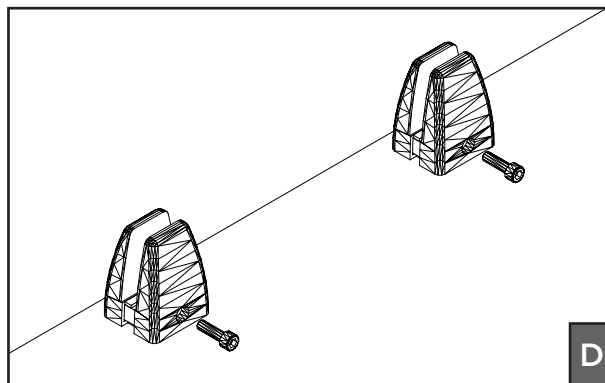
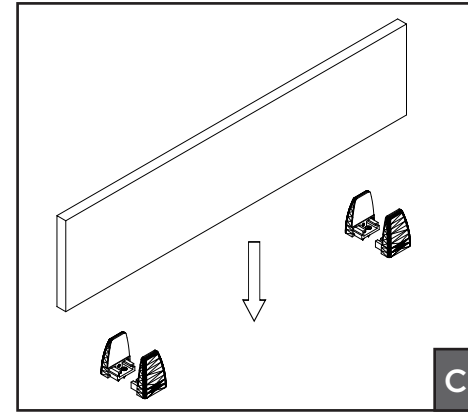
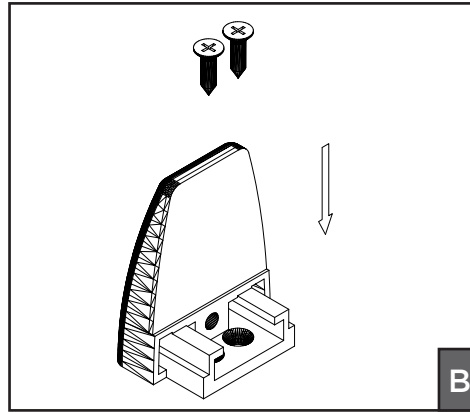
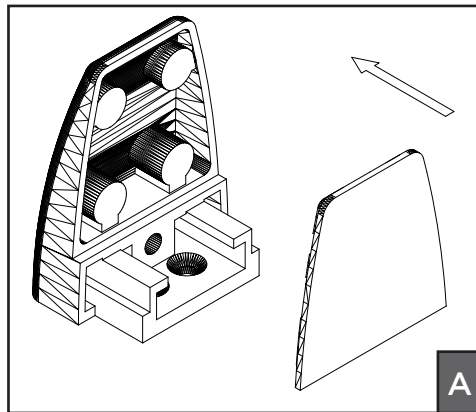


My-Hite Worksurface-Mounted Tackboard Installation

Surface-mounted glass screens mount to any laminate/veneer worksurface top.

1. Attach silicone pad to bracket **[IMAGE A]**
2. Attach first half of bracket to surface using provided screws **[IMAGE B]**
3. Position screen between the two bracket halves **[IMAGE C]**
4. Secure both halves of the bracket together using the provided bolt **[IMAGE D]**
5. Finished installation **[IMAGE E]**



My-Hite Worksurface-Mounted Glass Screen Installation

Surface-mounted glass screens mount to any laminate/veneer worksurface top.

1. Attach silicone pad to bracket **[IMAGE A]**
2. Attach first half of bracket to surface using provided screws **[IMAGE B]**
3. Position other halves of brackets **[IMAGE C]**
4. Secure both halves of the bracket together loosely using the provided bolt **[IMAGE D]**
5. Position screen between the brackets and tighten to secure.
6. Finished installation **[IMAGE E]**

