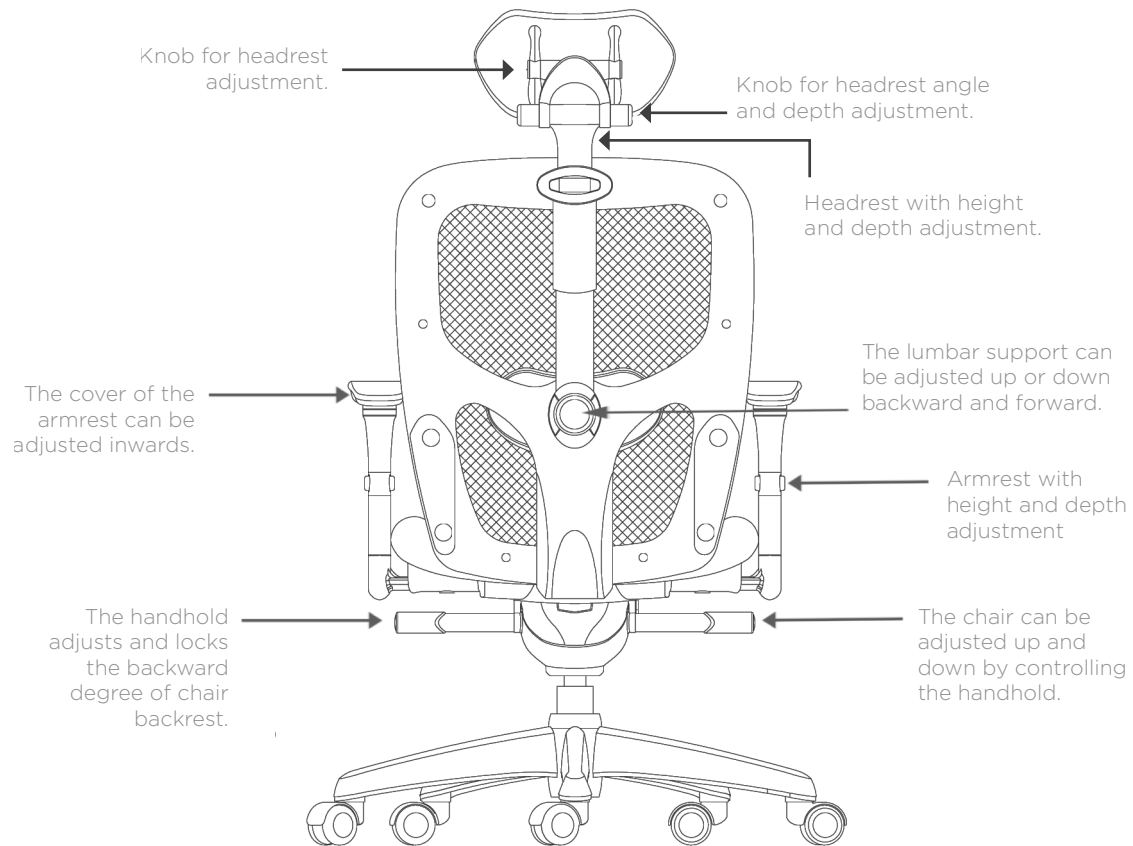
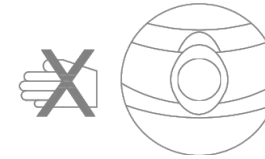


USER GUIDE

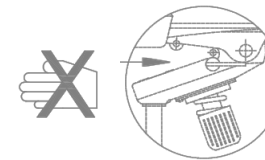
FRONT VIEW



ADJUSTMENT KNOBS



Do not overturn the knob, as this may cause damage. Be sure to stop turning when the knob reaches its limit.



Do not overturn the knob. Tension knob for the back tilt adjusts to fit different body weights.

ASSEMBLY GUIDE

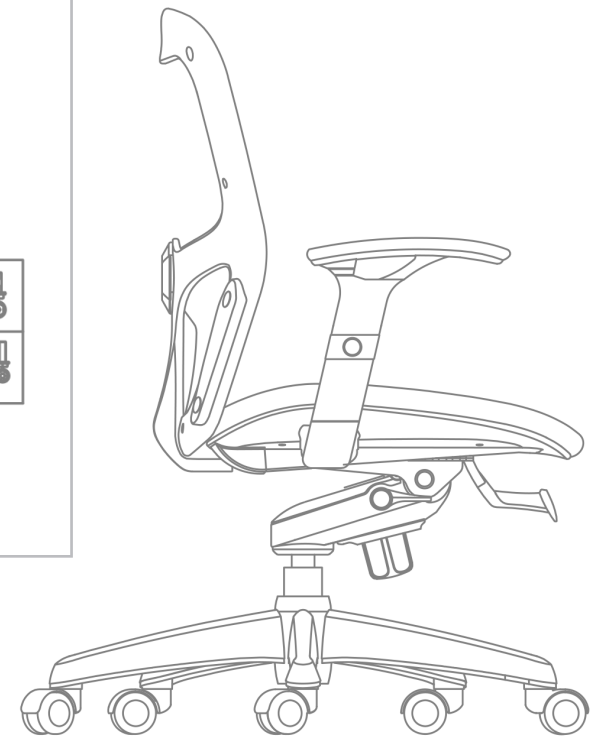


NOTE: Carefully check all parts according to the instructions before assembling. Please assemble carefully to avoid scratching surfaces, especially powder-coated surfaces.

Parts & Hardware

Item	Parts	Qty.	Item	Headrest Parts/Hardware	Qty.
A	Backrest	1	A	Headrest	1
B	Armrest	L/R	B	Label	1
C	Mechanism	1	C	Screw 1/4" x 1/2"	2
D	Seat Cushion	1			
E	Gas Lift	1			
F	Base	1			
G	Caster	5			
H	Flat Washer	5			
I	Spring Washer	3			
J	Width Adjustable Knob	2			
K	Wrench	1			

Hardware	Specification	Qty.
A	Screw 5/16" x 3/4"	3
B	Screw 5/16" x 1"	4

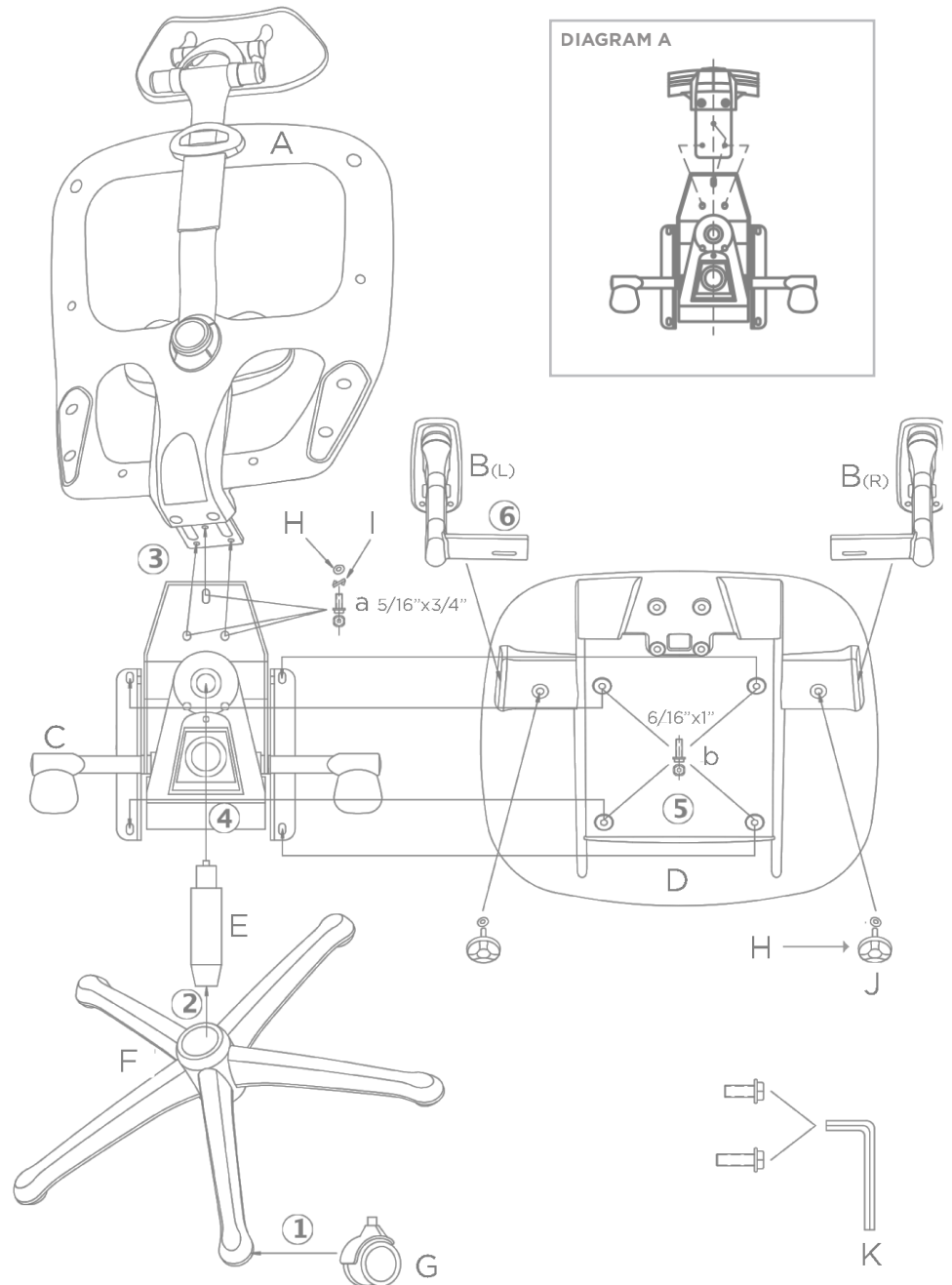


ASSEMBLY GUIDE

Chair Assembly Instructions

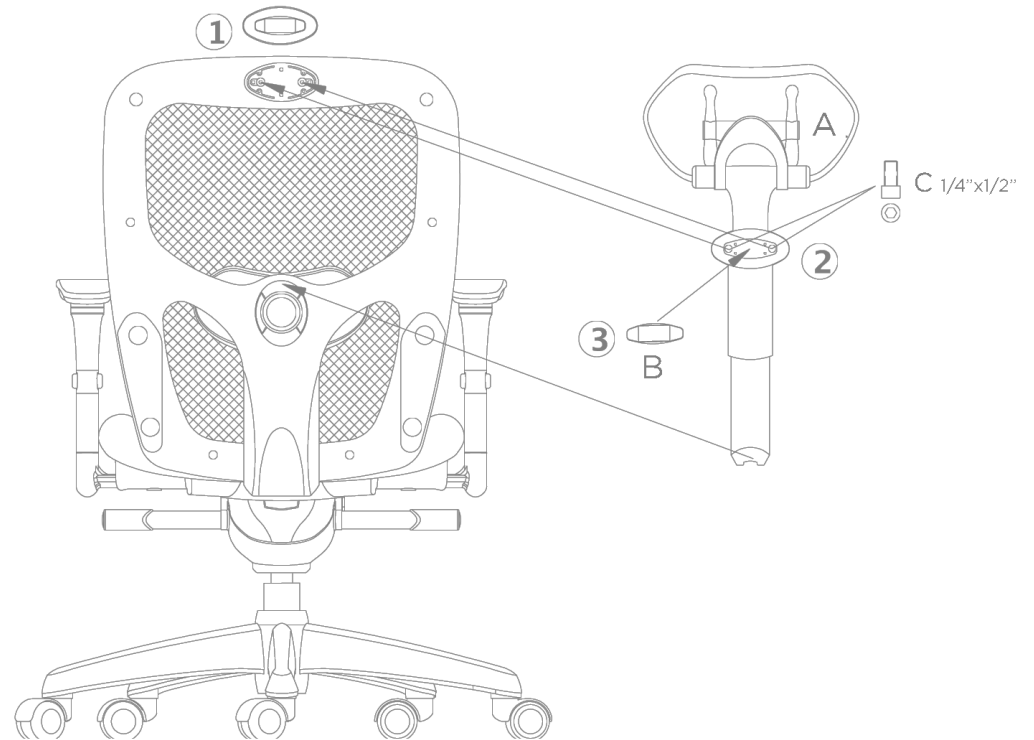
1. Insert five casters [G] into the bottom of the 5-star base [F].
2. Insert the thick part of the gas lift [E] into the center hole of the 5-star base [F].
3. Attach the backrest [A] to the metal part of the mechanism [C]. The metal part of the backrest [A] should be above the metal part of the mechanism [C]. Before tightening the screws, add spring washer [I] and flat washer [H], then tighten with screw [A] from the bottom up. The mid-line of the metal part of the backrest [A] should be aimed at the mid-line of the metal part of the mechanism. *See Diagram A*
4. Attach the assembled mechanism [C] and backrest [A] to the thin part of the gas lift [E].
5. Attach the seat cushion [D] to the mechanism [C], then fasten with a screw [B] from the underside.
6. Insert the armrest [B] into holes at both sides of the seat cushion [D]. Before inserting the knob [J], add a flat washer [H] in the knob [J]. Then put width adjustable knob [J] into holes at the bottom of the seat cushion [D] and fix it.
7. Make sure all the screws are fully tightened and the chair assembled properly before using it.

See next page for Headrest Assembly Guide.



Headrest Assembly Instructions

1. Lift up the elliptic cover, located above the middle of the backrest. Use a flat screwdriver, key or other flat tool to lift the elliptic cover.
2. Insert the headrest [A] into the strip hole in the middle of the backrest. Fix the flat area of the elliptic in the middle of the headrest [A] into the elliptic bulge above the backrest. Use the screw [C] to fix it into the backrest from the two holes in the middle of the headrest [A]. Tighten the headrest into the backrest.
3. Set the label [B] in the gap at the middle of the headrest [A] in the backrest.
4. Make sure all the screws are fully tightened and the chair is assembled properly before using the chair.



PRODUCT DIMENSIONS

