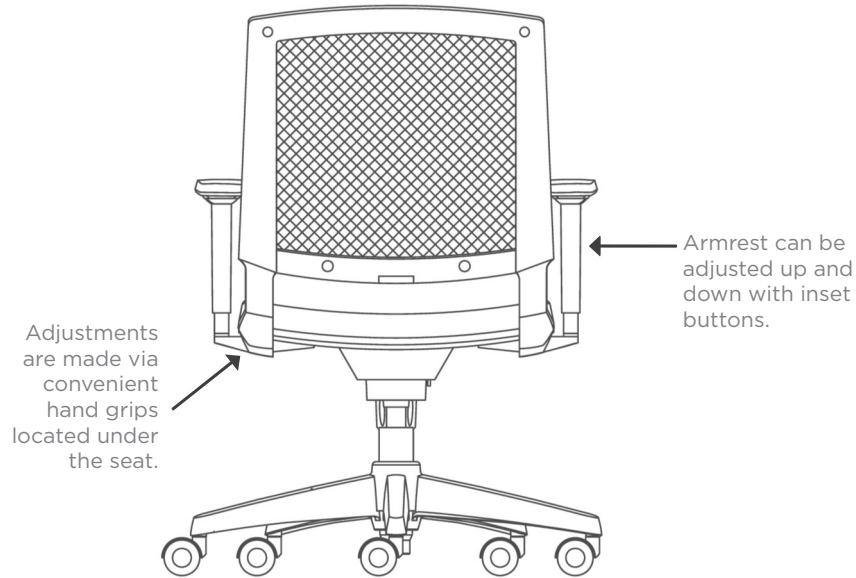


USER GUIDE

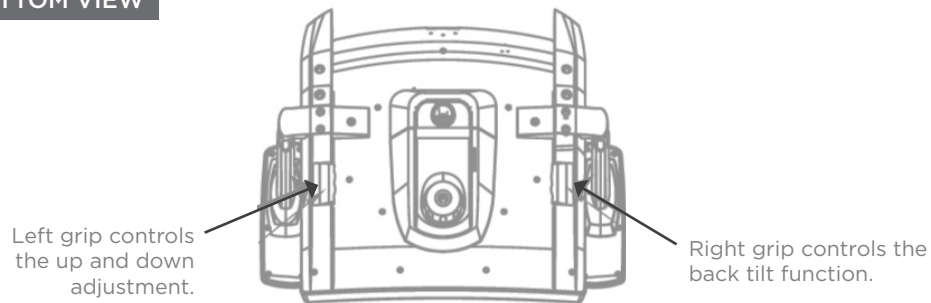
BACK VIEW



SIDE VIEW



BOTTOM VIEW



ASSEMBLY GUIDE

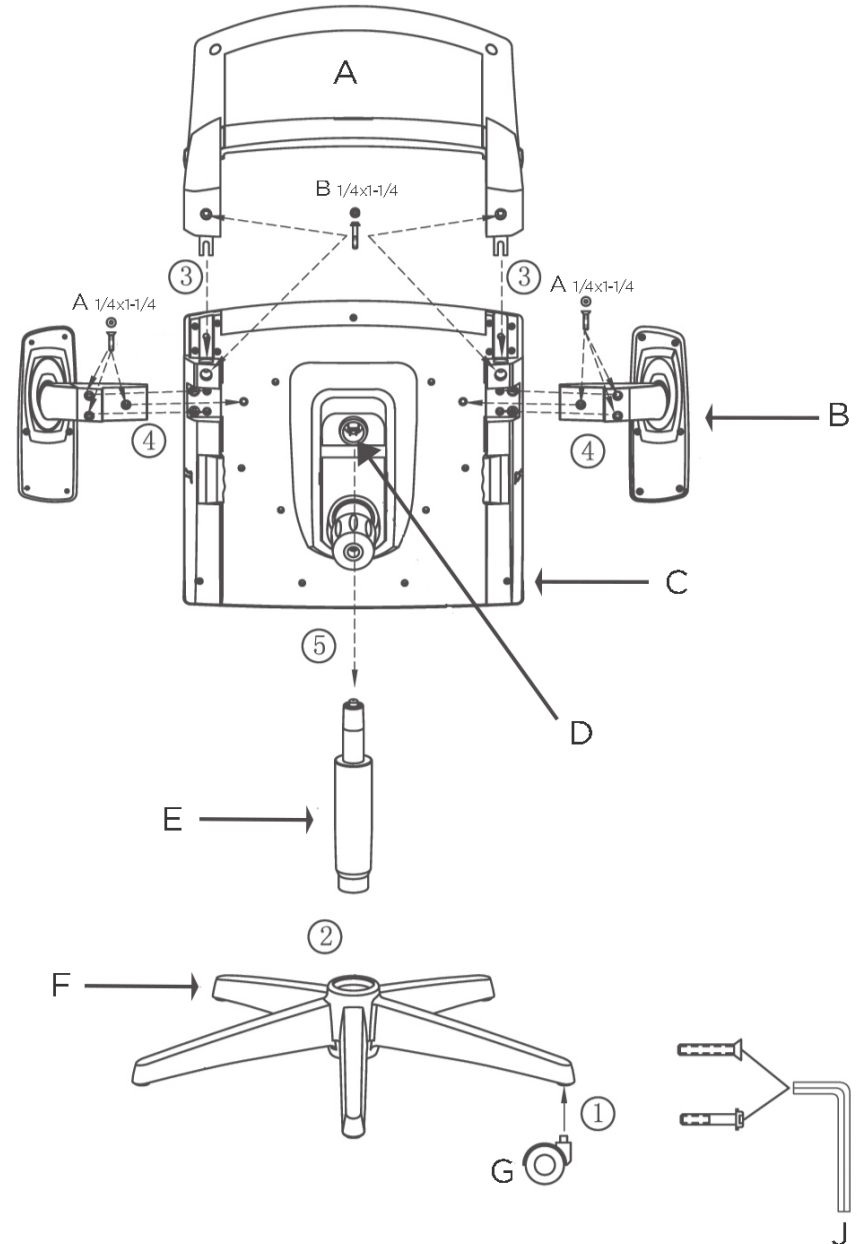
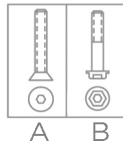


NOTE: Carefully check all parts according to the instructions before assembling. Please assemble carefully to avoid scratching surfaces, especially powder-coated surfaces.

Parts & Hardware

Item	Parts	Qty.
A	Back Rest	1
B	Armrest L/R	1 ea
C	Seat Cushion	1
D	Seat Mechanism	1
E	Gas Lift	1
F	Base	1
G	Castor	5

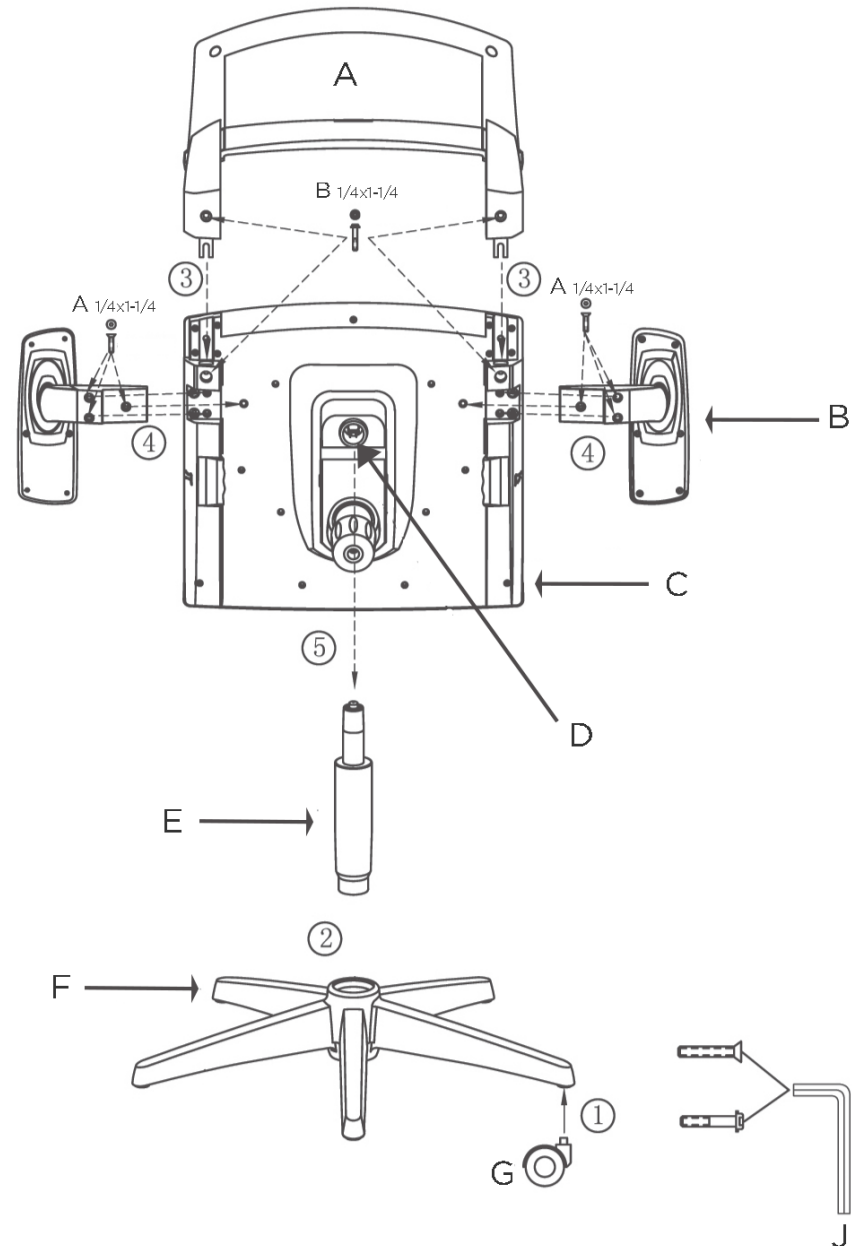
Hardware	Specification	Qty.	Spare
A	1/4" x 1-1/4"	6	1
B	1/4" x 1-1/4"	4	1



ASSEMBLY GUIDE

Assembly Instructions

1. Insert the caster [G] into the hole at the bottom of the five star base [F].
2. Insert the thick part of the gas lift [E] into the center hole of the five star base [F].
3. Attach the back rest [A] to the seat cushion [C], then fasten the screw [B] from the underside.
4. Match the arm rest [B] with two sides of the seat cushion [C] then fasten with screws.
5. Put the seat cushion [C] which has been attached to the back rest [A] onto the gas lift. Then, insert the cone-shaped hole of the seat mechanism [D] into the thin part of the gas lift [E].
6. Ensure that all screws are fully tightened before using the chair.



PRODUCT DIMENSIONS

