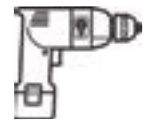


VERITY POWER POLE

Single-Sided Installation Instructions

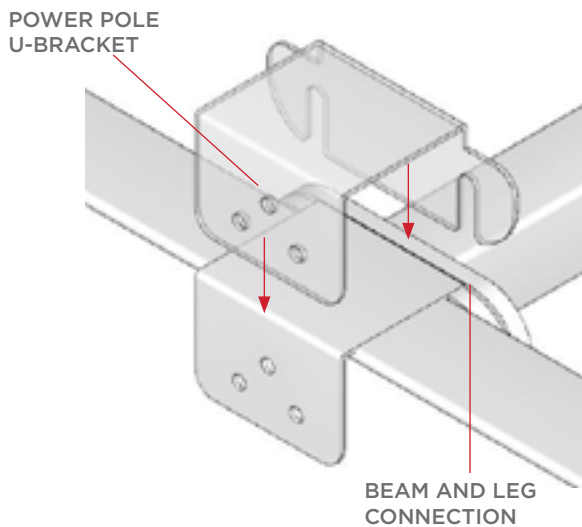
TOOLS



The following steps are instructions on how to assemble the Verity Power Pole and Trough Extension with Trim on a Single-Sided Standalone or Start/End Element.

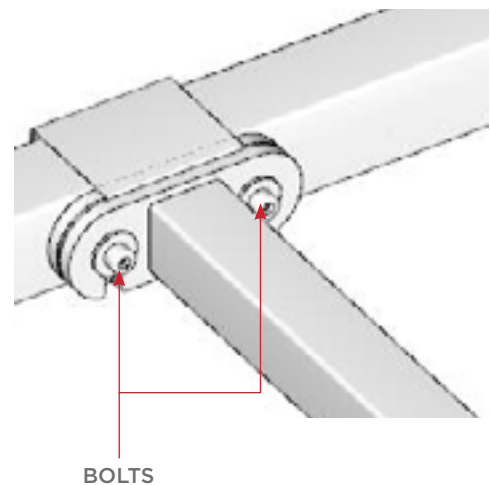
STEP 1. Verity Power Pole structure

Install power pole U-bracket between beam and leg connection.



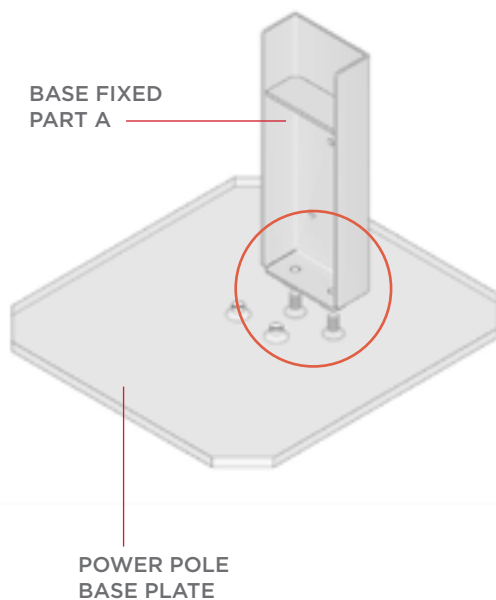
STEP 2.

Secure bolts to the beam by tightening and applying pressure down onto beam.



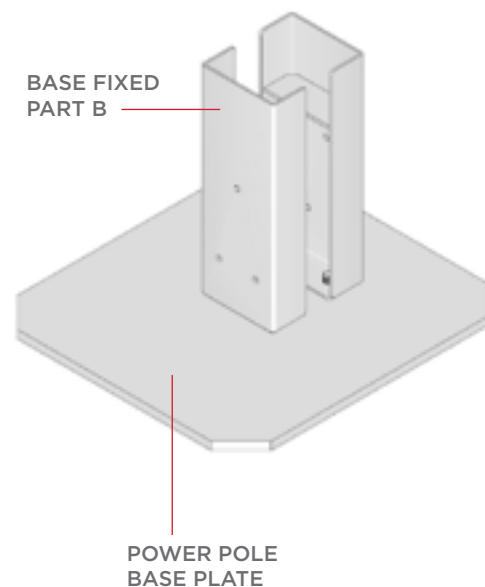
STEP 3A.

Install power pole base fixed part A onto the base plate using (2) M8*12 screws provided.



STEP 3B.

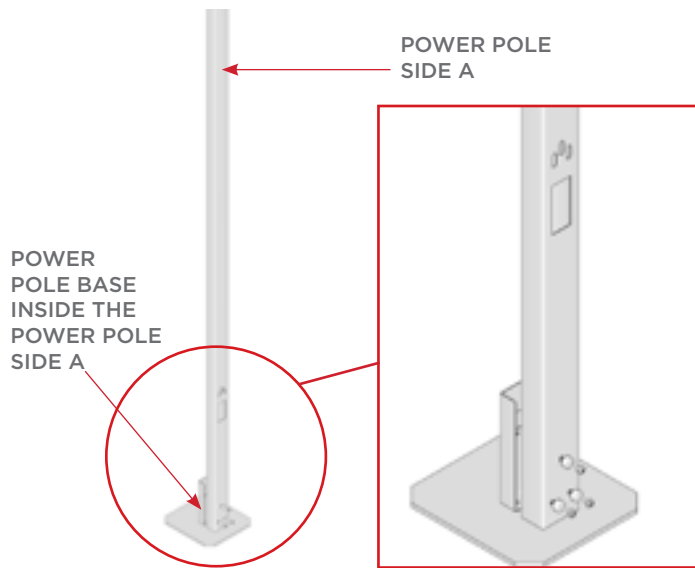
Install base fixed part B onto the base plate using the remaining (2) M8*12 screws provided.



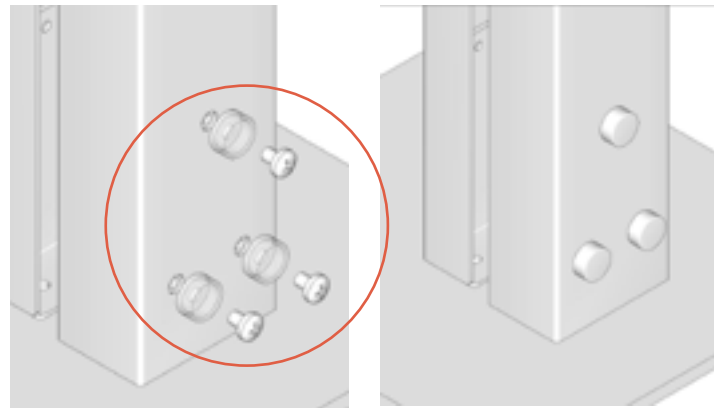
VERITY POWER POLE

Single-Sided Installation Instructions

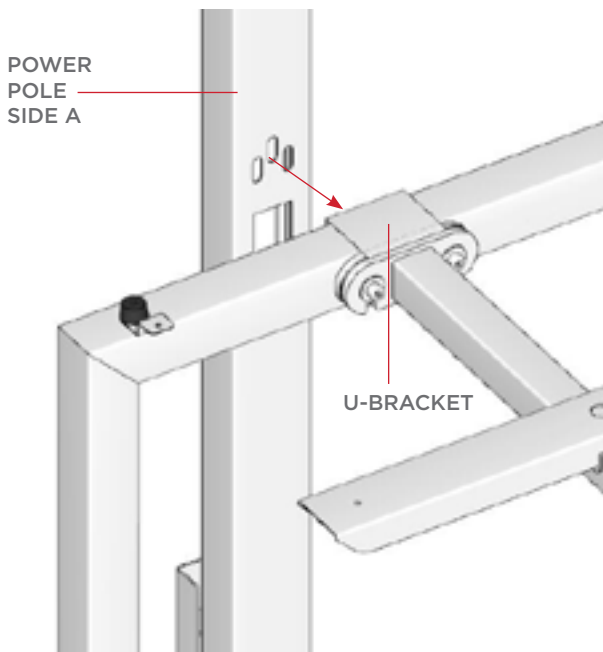
STEP 4. Attach power pole base to power pole side A which has 3 holes for inserting screws. This is the side that will be attached to the worksurface structure.



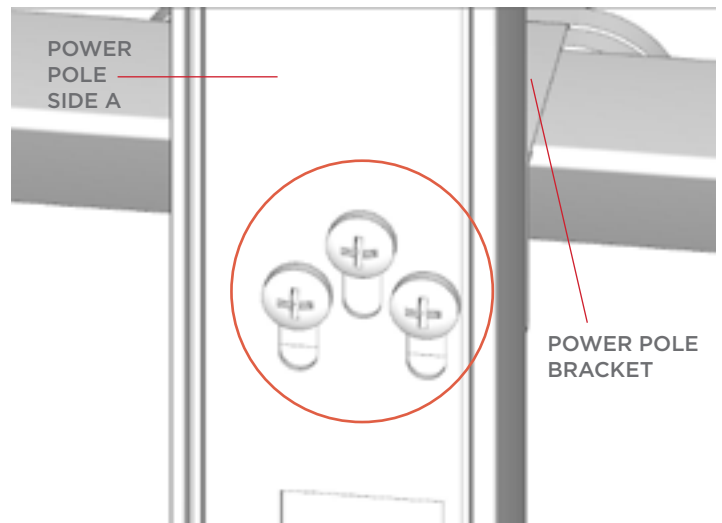
STEP 5. Secure using (3) M6*12 screws, and (3) screw caps provided.



STEP 6A. Align power pole side A to the U-bracket. Secure using (3) M6*12 screws provided.



STEP 6B. Inside view of power pole side A mounted onto the U-bracket with (3) M6*12 screws.

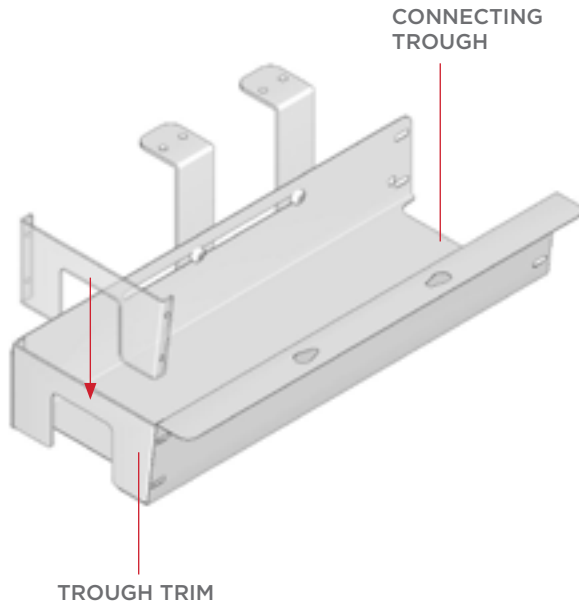


VERITY POWER POLE

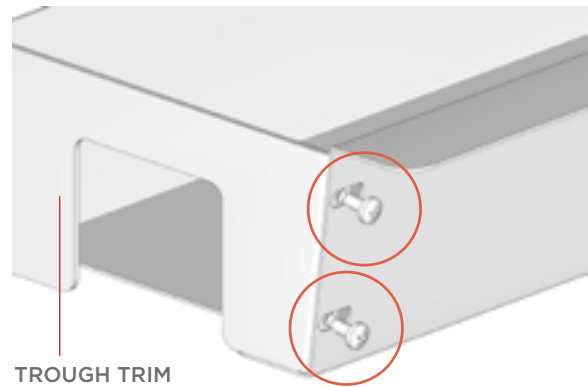
Single-Sided Installation Instructions

STEP 7. Single-Sided Trough Extension with Trim

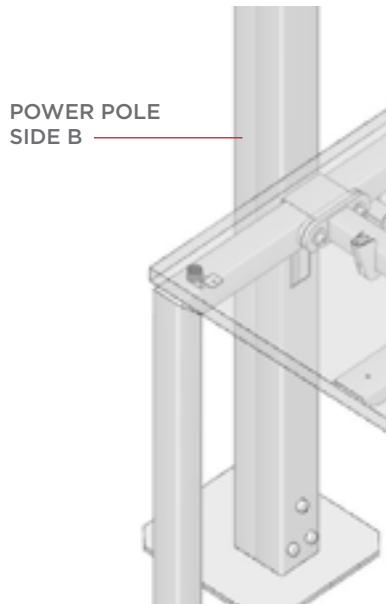
Attach trough trim to the single-sided connecting trough.



STEP 8. Secure trough trim using (4) self threading screws provided. Trough can now be installed into the Verity structure below the worksurface for Power Infeed to go through trough trim (Refer to Friant Verity Single-Sided manuals for Trough Installation)



STEP 9. You can now insert the Power Infeed into the power pole. Attach power pole side B to finish assembly. Follow STEP 5 to secure to base.



STEP 10. Finished assembly of the Single-Sided Power Pole.

